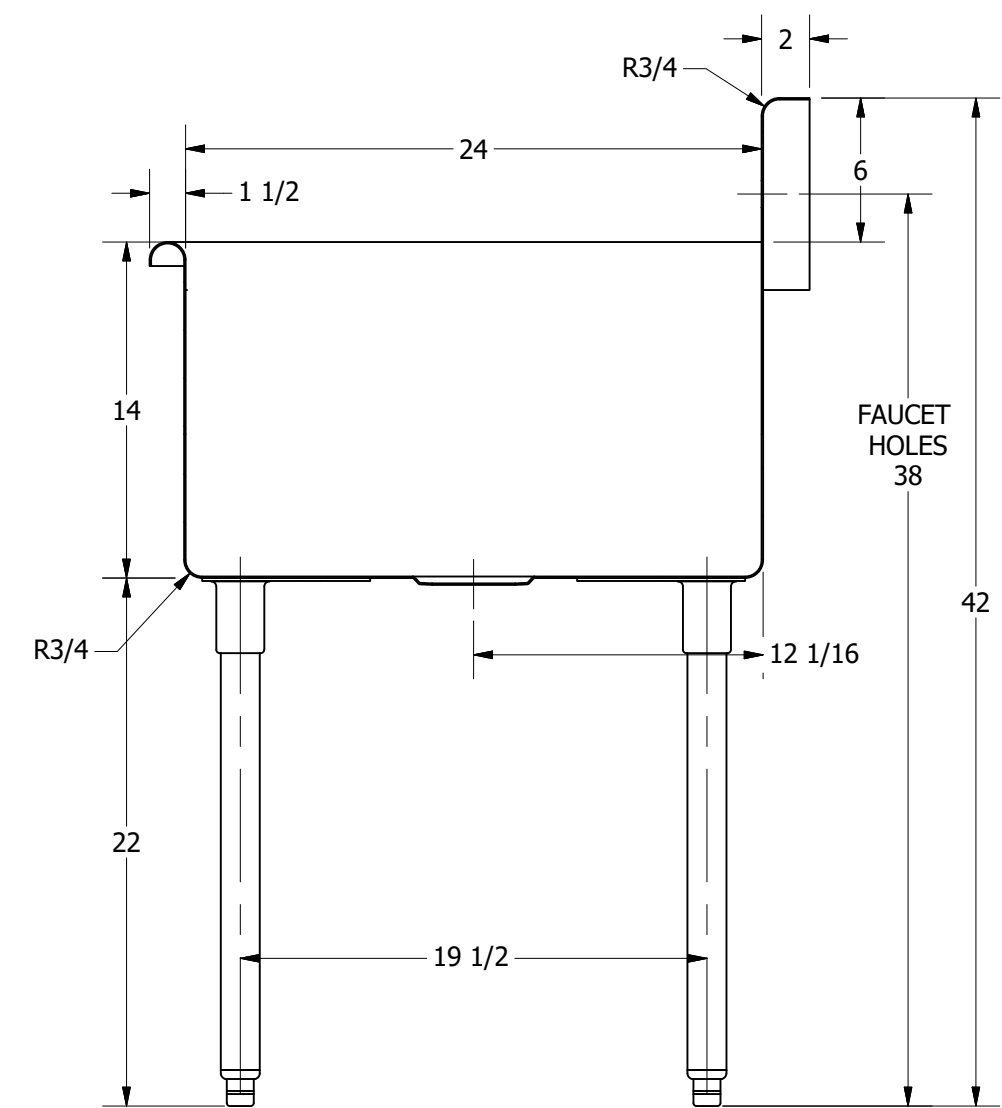
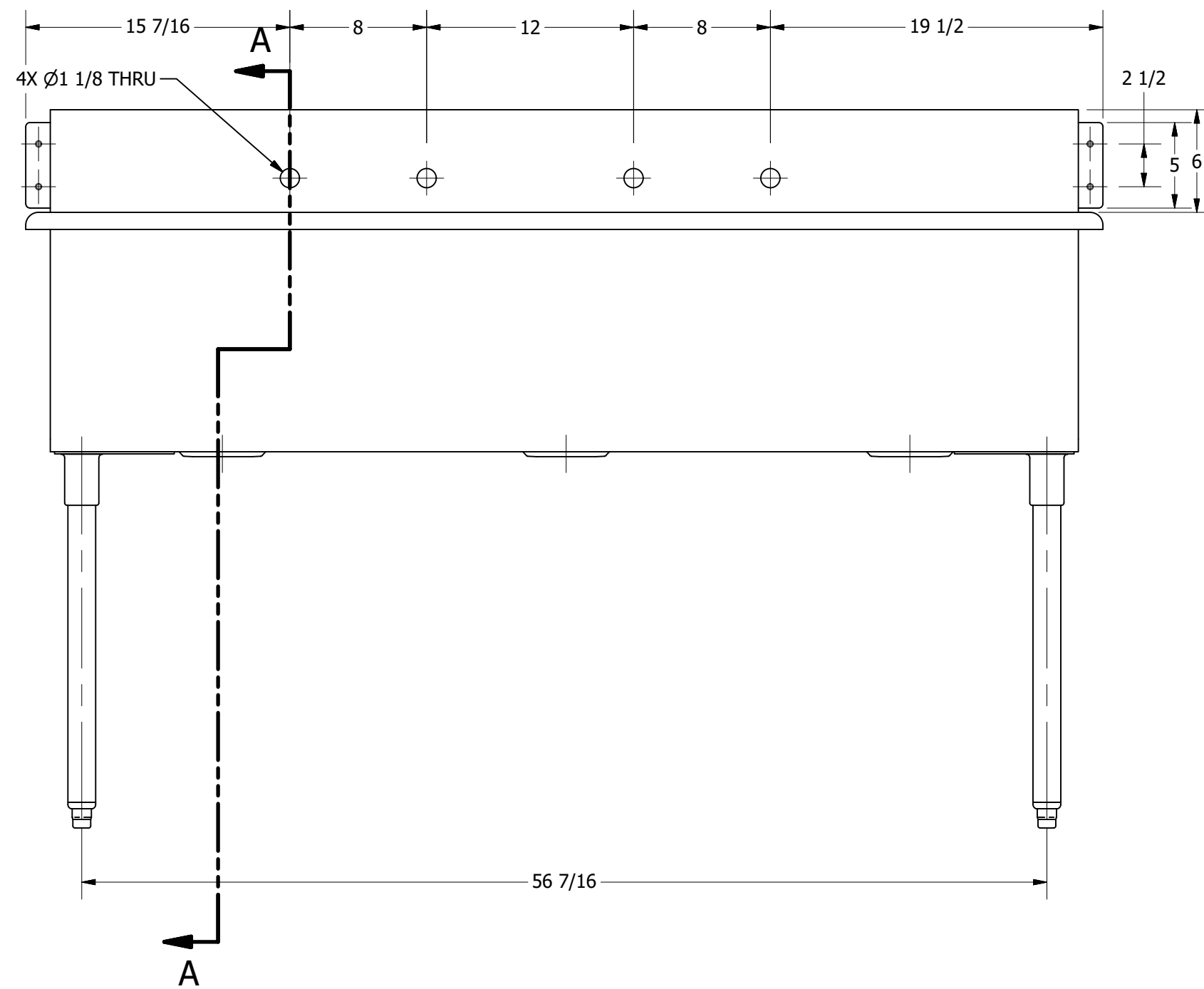


3D  
SCALE 1/12



SECTION A-A  
SCALE 1/8

REV	DESCRIPTION	DATE	APPROVED

**griffin**  
PRODUCTS INC.  
303 Blue Bird Parkway  
Wills Point, Texas 75169  
(800) 379-9709 / Fax: (903) 873-6389  
[www.gpsink.com](http://www.gpsink.com)

PART NUMBER	<b>TE 324.00</b>	TITLE	TERRELL SERIES SQUARE SINK
PRODUCT CATEGORY	SQUARE SINK	DESCRIPTION	16GA 3 COMPARTMENTS SINK
THE INFORMATION CONTAINED IN THIS DRAWING IS THE SOLE PROPERTY OF GRIFFIN PRODUCTS, INC. ANY REPRODUCTION IN PART OR AS A WHOLE WITHOUT THE WRITTEN PERMISSION FROM GRIFFIN PRODUCTS, INC. IS PROHIBITED.		MATERIAL	16GA (0.06 in) 304 STAINLESS STEEL
DRW. BY / DATE	DNZ 01/24/18	APPROVED BY / DATE	
REVISION HISTORY		ALL DIMENSIONS ARE IN X INCHES	REV. SCALE SIZE SHEET
			1/8 C 1 / 1