

# C60 & C75

SERIES SERIES

# SCULLERY SINKS

1-Compartment • No Drainboard

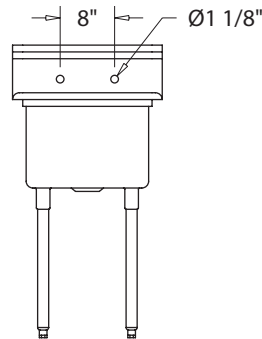
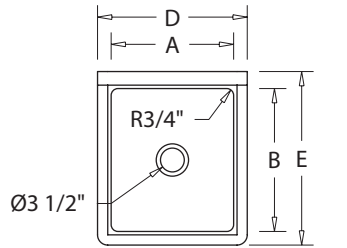
specifications

LIFETIME GUARANTEE

ITEM# C \_ \_ - 1 \_ \_ - 0 0

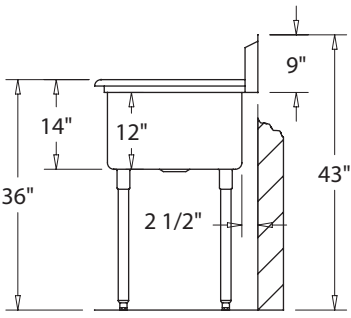
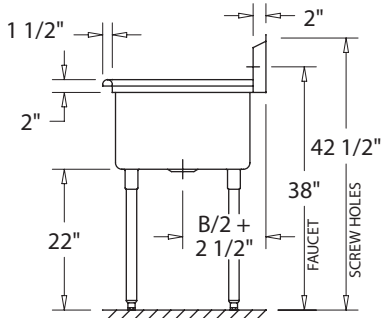
MODEL#

PROJECT



ROUGH-IN

SECTION



C60 C75 (specify)

<input checked="" type="checkbox"/>	<input checked="" type="checkbox"/>	MODEL	A X B	D	E
<input type="checkbox"/>	<input type="checkbox"/>	-178-00	12" x 18"	16"	22½"
<input type="checkbox"/>	<input type="checkbox"/>	-154-00	15" x 24"	19"	28½"
<input type="checkbox"/>	<input type="checkbox"/>	-168-00	16" x 18"	20"	22½"
<input type="checkbox"/>	<input type="checkbox"/>	-161-00	16" x 21"	20"	25½"
<input type="checkbox"/>	<input type="checkbox"/>	-188-00	18" x 18"	22"	22½"
<input type="checkbox"/>	<input type="checkbox"/>	-181-00	18" x 21"	22"	25½"
<input type="checkbox"/>	<input type="checkbox"/>	-184-00	18" x 24"	22"	28½"
<input type="checkbox"/>	<input type="checkbox"/>	-121-00	20" x 21"	24"	25½"
<input type="checkbox"/>	<input type="checkbox"/>	-124-00	20" x 24"	24"	28½"
<input type="checkbox"/>	<input type="checkbox"/>	-123-00	20" x 30"	24"	34½"
<input type="checkbox"/>	<input type="checkbox"/>	-144-00	24" x 24"	28"	28½"
<input type="checkbox"/>	<input type="checkbox"/>	-143-00	24" x 30"	28"	34½"

## MATERIAL

- C60 Series 16 gauge, type 304 stainless
- C75 Series 14 gauge, type 304 stainless
  - Sink bowl(s)
  - Drainboard(s)<sup>1</sup>
  - Backsplash
- Type 304 stainless steel
  - Basket drains
  - Apron front<sup>2</sup>
  - Leg sockets
  - Sink legs & feet

## MECHANICAL

- Backsplash is 9" tall with a 2" wide return.
- Tile edge is 1" tall with pre-punched mounting holes, ¼" diameter.
- Faucet holes are 1½" diameter on 8" centers (sinks with cumulative A dimension greater than 54" are provided two sets of faucet holes).
- Sink legs are 1⅝" dia. with adjustable feet.
- Drain openings are 3½", recessed.
- Basket drains are 1½" IPS.
- Supply is ½" IPS, hot and cold.

## FEATURES

- Sink bowl(s) are 'True Gauge', not drawn.
- Sanitary rolled rim is 2" tall x 1½" wide.
- Coved compartments are ¾" radius, both horizontal and vertical.
- Unitized construction. Stiffeners welded directly to sink bowls ensure maximum rigidity.<sup>2</sup>
- Full front apron enclosure is standard.<sup>2</sup>
- Leg sockets are welded directly to sink bowl providing proper load support.
- Drainboard(s) are pitched to drain into adjacent sink bowl.<sup>1</sup>
- Tile edge is provided with pre-punched mounting holes to securely fasten sink to the wall.
- All seams are TIG welded and ground to a smooth #4 satin finish.
- Custom configurations are available.
- NSF approved.
- Lifetime warranty.
- Proudly made in the USA.

## ACCESSORIES

- FS-108 8" swing spout faucet
- FS-112 12" swing spout faucet
- FS-114 14" swing spout faucet
- FA-100 Wrist blade handles
- FA-200 Articulating swing arm
- FR-128 Pre-rinse spray.
- WL-200 2" IPS lever drain
- WL-201 2" IPS lever drain w/ overflow

We welcome the opportunity to help you design and configure equipment to suit your specific needs.

In keeping with our policy of continuing product improvement, we reserve the right to change product specifications without notice.

**GRIFFIN PRODUCTS, INC.**  
 303 Blue Bird Parkway  
 Wills Point, TX 75169  
 (800) 379-9709 tel  
 (903) 873-6389 fax



www.griffinproducts.com  
 © 2006 Griffin Products, Inc.

<sup>1</sup> n/a when drainboards are not present.

<sup>2</sup> n/a for one compartment sinks.

# C60 & C75 SERIES

# SCULLERY SINKS

1-Compartment • Lt Drainboard

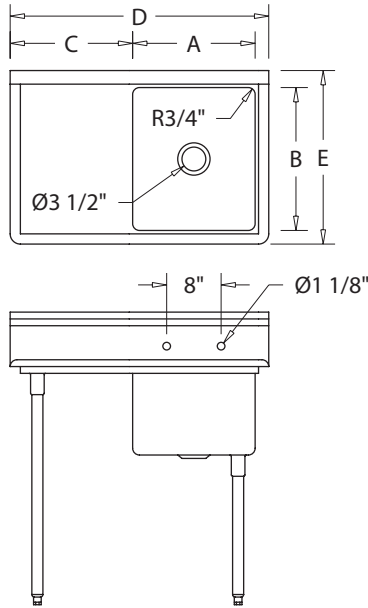
specifications

LIFETIME GUARANTEE

ITEM# C \_ \_ - 1 \_ \_ - \_ 0

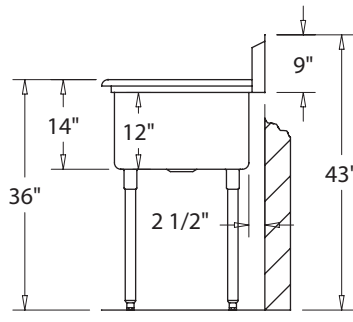
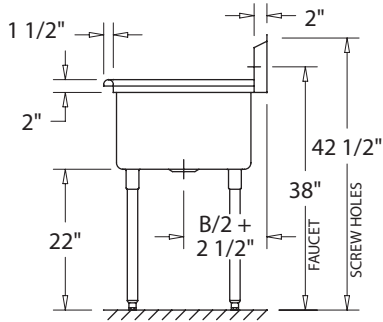
MODEL#

PROJECT



ROUGH-IN

SECTION



C60 C75 (specify)

<input type="checkbox"/>	<input type="checkbox"/>	MODEL	A X B	C	D	E
<input type="checkbox"/>	<input type="checkbox"/>	-80		18"	32"	
<input type="checkbox"/>	<input type="checkbox"/>	-178-40	12" x 18"	24"	38"	22½"
<input type="checkbox"/>	<input type="checkbox"/>	-30		30"	44"	
<input type="checkbox"/>	<input type="checkbox"/>	-80		18"	35"	
<input type="checkbox"/>	<input type="checkbox"/>	-154-40	15" x 24"	24"	41"	28½"
<input type="checkbox"/>	<input type="checkbox"/>	-30		30"	47"	
<input type="checkbox"/>	<input type="checkbox"/>	-80		18"	36"	
<input type="checkbox"/>	<input type="checkbox"/>	-168-40	16" x 18"	24"	42"	22½"
<input type="checkbox"/>	<input type="checkbox"/>	-30		30"	48"	
<input type="checkbox"/>	<input type="checkbox"/>	-80		18"	36"	
<input type="checkbox"/>	<input type="checkbox"/>	-161-40	16" x 21"	24"	42"	25½"
<input type="checkbox"/>	<input type="checkbox"/>	-30		30"	48"	
<input type="checkbox"/>	<input type="checkbox"/>	-80		18"	38"	
<input type="checkbox"/>	<input type="checkbox"/>	-188-40	18" x 18"	24"	44"	22½"
<input type="checkbox"/>	<input type="checkbox"/>	-30		30"	50"	
<input type="checkbox"/>	<input type="checkbox"/>	-80		18"	38"	
<input type="checkbox"/>	<input type="checkbox"/>	-181-40	18" x 21"	24"	44"	25½"
<input type="checkbox"/>	<input type="checkbox"/>	-30		30"	50"	
<input type="checkbox"/>	<input type="checkbox"/>	-80		18"	38"	
<input type="checkbox"/>	<input type="checkbox"/>	-184-40	18" x 24"	24"	44"	28½"
<input type="checkbox"/>	<input type="checkbox"/>	-30		30"	50"	
<input type="checkbox"/>	<input type="checkbox"/>	-80		18"	40"	
<input type="checkbox"/>	<input type="checkbox"/>	-121-40	20" x 21"	24"	46"	25½"
<input type="checkbox"/>	<input type="checkbox"/>	-30		30"	52"	
<input type="checkbox"/>	<input type="checkbox"/>	-80		18"	40"	
<input type="checkbox"/>	<input type="checkbox"/>	-124-40	20" x 24"	24"	46"	28½"
<input type="checkbox"/>	<input type="checkbox"/>	-30		30"	52"	
<input type="checkbox"/>	<input type="checkbox"/>	-80		18"	40"	
<input type="checkbox"/>	<input type="checkbox"/>	-123-40	20" x 30"	24"	46"	34½"
<input type="checkbox"/>	<input type="checkbox"/>	-30		30"	52"	
<input type="checkbox"/>	<input type="checkbox"/>	-80		18"	44"	
<input type="checkbox"/>	<input type="checkbox"/>	-144-40	24" x 24"	24"	50"	28½"
<input type="checkbox"/>	<input type="checkbox"/>	-30		30"	56"	
<input type="checkbox"/>	<input type="checkbox"/>	-80		18"	44"	
<input type="checkbox"/>	<input type="checkbox"/>	-143-40	24" x 30"	24"	50"	34½"
<input type="checkbox"/>	<input type="checkbox"/>	-30		30"	56"	

## MATERIAL

- C60 Series 16 gauge, type 304 stainless
- C75 Series 14 gauge, type 304 stainless
  - Sink bowl(s)
  - Drainboard(s)<sup>1</sup>
  - Backsplash
- Type 304 stainless steel
  - Basket drains
  - Apron front<sup>2</sup>
  - Leg sockets
  - Sink legs & feet

## MECHANICAL

- Backsplash is 9" tall with a 2" wide return.
- Tile edge is 1" tall with pre-punched mounting holes, 1/4" diameter.
- Faucet holes are 1/8" diameter on 8" centers (sinks with cumulative A dimension greater than 54" are provided two sets of faucet holes).
- Sink legs are 1 5/8" dia. with adjustable feet.
- Drain openings are 3 1/2", recessed.
- Basket drains are 1 1/2" IPS.
- Supply is 1/2" IPS, hot and cold.

## FEATURES

- Sink bowl(s) are 'True Gauge', not drawn.
- Sanitary rolled rim is 2" tall x 1 1/2" wide.
- Coved compartments are 3/4" radius, both horizontal and vertical.
- Unitized construction. Stiffeners welded directly to sink bowls ensure maximum rigidity.<sup>2</sup>
- Full front apron enclosure is standard.<sup>2</sup>
- Leg sockets are welded directly to sink bowl providing proper load support.
- Drainboard(s) are pitched to drain into adjacent sink bowl.<sup>1</sup>
- Tile edge is provided with pre-punched mounting holes to securely fasten sink to the wall.
- All seams are TIG welded and ground to a smooth #4 satin finish.
- Custom configurations are available.
- NSF approved.
- Lifetime warranty.
- Proudly made in the USA.

## ACCESSORIES

- FS-108 8" swing spout faucet
- FS-112 12" swing spout faucet
- FS-114 14" swing spout faucet
- FA-100 Wrist blade handles
- FA-200 Articulating swing arm
- FR-128 Pre-rinse spray.
- WL-200 2" IPS lever drain
- WL-201 2" IPS lever drain w/ overflow

We welcome the opportunity to help you design and configure equipment to suit your specific needs.

In keeping with our policy of continuing product improvement, we reserve the right to change product specifications without notice.

GRIFFIN PRODUCTS, INC.  
303 Blue Bird Parkway  
Wills Point, TX 75169  
(800) 379-9709 tel  
(903) 873-6389 fax



www.griffinproducts.com  
© 2006 Griffin Products, Inc.

GRIFFIN PRODUCTS, INC.

<sup>1</sup> n/a when drainboards are not present.

<sup>2</sup> n/a for one compartment sinks.

# C60 & C75

SERIES SERIES

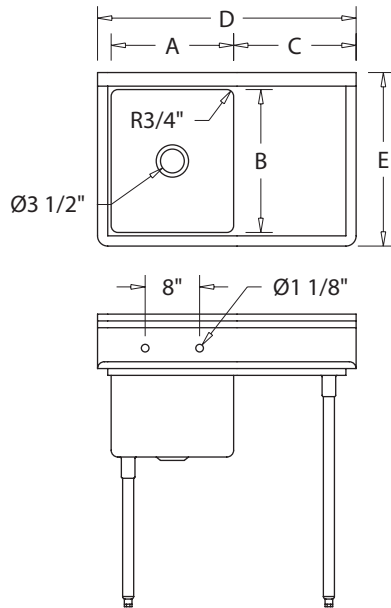
# SCULLERY SINKS

1-Compartment • Rt Drainboard

specifications

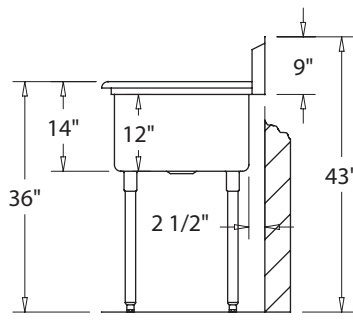
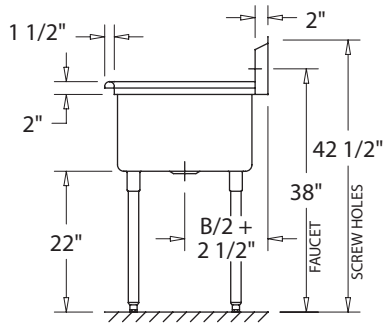
LIFETIME GUARANTEE

ITEM# C \_ \_ - 1 \_ \_ - 0 \_ \_  
 MODEL#  
 PROJECT



ROUGH-IN

SECTION



C60 C75 (specify)

<input checked="" type="checkbox"/>	<input checked="" type="checkbox"/>	MODEL	A X B	C	D	E
<input type="checkbox"/>	<input type="checkbox"/>	-08		18"	32"	
<input type="checkbox"/>	<input type="checkbox"/>	-178-04	12" x 18"	24"	38"	22½"
<input type="checkbox"/>	<input type="checkbox"/>	-03		30"	44"	
<input type="checkbox"/>	<input type="checkbox"/>	-08		18"	35"	
<input type="checkbox"/>	<input type="checkbox"/>	-154-04	15" x 24"	24"	41"	28½"
<input type="checkbox"/>	<input type="checkbox"/>	-03		30"	47"	
<input type="checkbox"/>	<input type="checkbox"/>	-08		18"	36"	
<input type="checkbox"/>	<input type="checkbox"/>	-168-04	16" x 18"	24"	42"	22½"
<input type="checkbox"/>	<input type="checkbox"/>	-03		30"	48"	
<input type="checkbox"/>	<input type="checkbox"/>	-08		18"	36"	
<input type="checkbox"/>	<input type="checkbox"/>	-161-04	16" x 21"	24"	42"	25½"
<input type="checkbox"/>	<input type="checkbox"/>	-03		30"	48"	
<input type="checkbox"/>	<input type="checkbox"/>	-08		18"	38"	
<input type="checkbox"/>	<input type="checkbox"/>	-188-04	18" x 18"	24"	44"	22½"
<input type="checkbox"/>	<input type="checkbox"/>	-03		30"	50"	
<input type="checkbox"/>	<input type="checkbox"/>	-08		18"	38"	
<input type="checkbox"/>	<input type="checkbox"/>	-181-04	18" x 21"	24"	44"	25½"
<input type="checkbox"/>	<input type="checkbox"/>	-03		30"	50"	
<input type="checkbox"/>	<input type="checkbox"/>	-08		18"	38"	
<input type="checkbox"/>	<input type="checkbox"/>	-184-04	18" x 24"	24"	44"	28½"
<input type="checkbox"/>	<input type="checkbox"/>	-03		30"	50"	
<input type="checkbox"/>	<input type="checkbox"/>	-08		18"	40"	
<input type="checkbox"/>	<input type="checkbox"/>	-121-04	20" x 21"	24"	46"	25½"
<input type="checkbox"/>	<input type="checkbox"/>	-03		30"	52"	
<input type="checkbox"/>	<input type="checkbox"/>	-08		18"	40"	
<input type="checkbox"/>	<input type="checkbox"/>	-124-04	20" x 24"	24"	46"	28½"
<input type="checkbox"/>	<input type="checkbox"/>	-03		30"	52"	
<input type="checkbox"/>	<input type="checkbox"/>	-08		18"	40"	
<input type="checkbox"/>	<input type="checkbox"/>	-123-04	20" x 30"	24"	46"	34½"
<input type="checkbox"/>	<input type="checkbox"/>	-03		30"	52"	
<input type="checkbox"/>	<input type="checkbox"/>	-08		18"	44"	
<input type="checkbox"/>	<input type="checkbox"/>	-144-04	24" x 24"	24"	50"	28½"
<input type="checkbox"/>	<input type="checkbox"/>	-03		30"	56"	
<input type="checkbox"/>	<input type="checkbox"/>	-08		18"	44"	
<input type="checkbox"/>	<input type="checkbox"/>	-143-04	24" x 30"	24"	50"	34½"
<input type="checkbox"/>	<input type="checkbox"/>	-03		30"	56"	

**MATERIAL**

- C60 Series 16 gauge, type 304 stainless
- C75 Series 14 gauge, type 304 stainless
  - Sink bowl(s)
  - Drainboard(s)<sup>1</sup>
  - Backsplash
- Type 304 stainless steel
  - Basket drains
  - Apron front<sup>2</sup>
  - Leg sockets
  - Sink legs & feet

**MECHANICAL**

- Backsplash is 9" tall with a 2" wide return.
- Tile edge is 1" tall with pre-punched mounting holes, ¼" diameter.
- Faucet holes are 1 1/8" diameter on 8" centers (sinks with cumulative A dimension greater than 54" are provided two sets of faucet holes).
- Sink legs are 1 5/8" dia. with adjustable feet.
- Drain openings are 3/2", recessed.
- Basket drains are 1 1/2" IPS.
- Supply is 1/2" IPS, hot and cold.

**FEATURES**

- Sink bowl(s) are 'True Gauge', not drawn.
- Sanitary rolled rim is 2" tall x 1 1/2" wide.
- Coved compartments are 3/4" radius, both horizontal and vertical.
- Unitized construction. Stiffeners welded directly to sink bowls ensure maximum rigidity.<sup>2</sup>
- Full front apron enclosure is standard.<sup>2</sup>
- Leg sockets are welded directly to sink bowl providing proper load support.
- Drainboard(s) are pitched to drain into adjacent sink bowl.<sup>1</sup>
- Tile edge is provided with pre-punched mounting holes to securely fasten sink to the wall.
- All seams are TIG welded and ground to a smooth #4 satin finish.
- Custom configurations are available.
- NSF approved.
- Lifetime warranty.
- Proudly made in the USA.

**ACCESSORIES**

- FS-108 8" swing spout faucet
- FS-112 12" swing spout faucet
- FS-114 14" swing spout faucet
- FA-100 Wrist blade handles
- FA-200 Articulating swing arm
- FR-128 Pre-rinse spray.
- WL-200 2" IPS lever drain
- WL-201 2" IPS lever drain w/ overflow

We welcome the opportunity to help you design and configure equipment to suit your specific needs.

In keeping with our policy of continuing product improvement, we reserve the right to change product specifications without notice.

Griffin Products, Inc.  
 303 Blue Bird Parkway  
 Wills Point, TX 75169  
 (800) 379-9709 tel  
 (903) 873-6389 fax



www.griffinproducts.com  
 © 2006 Griffin Products, Inc.

<sup>1</sup> n/a when drainboards are not present.

<sup>2</sup> n/a for one compartment sinks.

# C60 & C75

SERIES

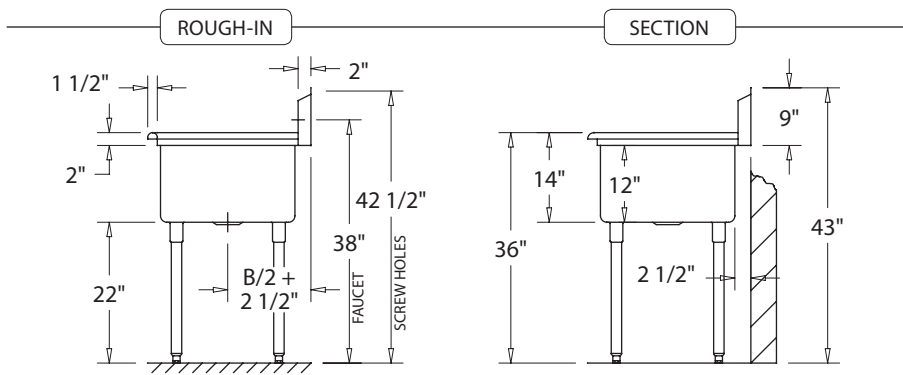
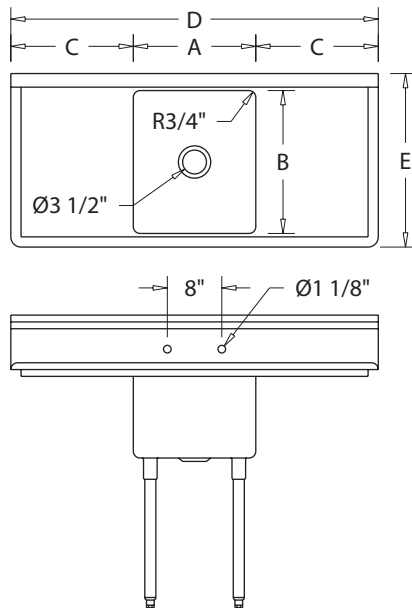
SERIES

# SCULLERY SINKS

1-Compartment • L&R Drainboards

specifications

LIFETIME GUARANTEE



ITEM# C - - 1 - - -

MODEL# \_\_\_\_\_

PROJECT \_\_\_\_\_

**C60 C75** (specify)

<input type="checkbox"/>	<input type="checkbox"/>	MODEL	A X B	C	D	E
<input type="checkbox"/>	<input type="checkbox"/>	-88		18"	48"	
<input type="checkbox"/>	<input type="checkbox"/>	-178-44	12" x 18"	24"	60"	22½"
<input type="checkbox"/>	<input type="checkbox"/>	-33		30"	72"	
<input type="checkbox"/>	<input type="checkbox"/>	-88		18"	51"	
<input type="checkbox"/>	<input type="checkbox"/>	-154-44	15" x 24"	24"	63"	28½"
<input type="checkbox"/>	<input type="checkbox"/>	-33		30"	75"	
<input type="checkbox"/>	<input type="checkbox"/>	-88		18"	52"	
<input type="checkbox"/>	<input type="checkbox"/>	-168-44	16" x 18"	24"	64"	22½"
<input type="checkbox"/>	<input type="checkbox"/>	-33		30"	76"	
<input type="checkbox"/>	<input type="checkbox"/>	-88		18"	52"	
<input type="checkbox"/>	<input type="checkbox"/>	-161-44	16" x 21"	24"	64"	25½"
<input type="checkbox"/>	<input type="checkbox"/>	-33		30"	76"	
<input type="checkbox"/>	<input type="checkbox"/>	-88		18"	54"	
<input type="checkbox"/>	<input type="checkbox"/>	-188-44	18" x 18"	24"	66"	22½"
<input type="checkbox"/>	<input type="checkbox"/>	-33		30"	78"	
<input type="checkbox"/>	<input type="checkbox"/>	-88		18"	54"	
<input type="checkbox"/>	<input type="checkbox"/>	-181-44	18" x 21"	24"	66"	25½"
<input type="checkbox"/>	<input type="checkbox"/>	-33		30"	78"	
<input type="checkbox"/>	<input type="checkbox"/>	-88		18"	54"	
<input type="checkbox"/>	<input type="checkbox"/>	-184-44	18" x 24"	24"	66"	28½"
<input type="checkbox"/>	<input type="checkbox"/>	-33		30"	78"	
<input type="checkbox"/>	<input type="checkbox"/>	-88		18"	56"	
<input type="checkbox"/>	<input type="checkbox"/>	-121-44	20" x 21"	24"	68"	25½"
<input type="checkbox"/>	<input type="checkbox"/>	-33		30"	80"	
<input type="checkbox"/>	<input type="checkbox"/>	-88		18"	56"	
<input type="checkbox"/>	<input type="checkbox"/>	-124-44	20" x 24"	24"	68"	28½"
<input type="checkbox"/>	<input type="checkbox"/>	-33		30"	80"	
<input type="checkbox"/>	<input type="checkbox"/>	-88		18"	56"	
<input type="checkbox"/>	<input type="checkbox"/>	-123-44	20" x 30"	24"	68"	34½"
<input type="checkbox"/>	<input type="checkbox"/>	-33		30"	80"	
<input type="checkbox"/>	<input type="checkbox"/>	-88		18"	60"	
<input type="checkbox"/>	<input type="checkbox"/>	-144-44	24" x 24"	24"	72"	28½"
<input type="checkbox"/>	<input type="checkbox"/>	-33		30"	84"	
<input type="checkbox"/>	<input type="checkbox"/>	-88		18"	60"	
<input type="checkbox"/>	<input type="checkbox"/>	-143-44	24" x 30"	24"	72"	34½"
<input type="checkbox"/>	<input type="checkbox"/>	-33		30"	84"	

**MATERIAL**

- C60 Series 16 gauge, type 304 stainless
- C75 Series 14 gauge, type 304 stainless
  - Sink bowl(s)
  - Drainboard(s)<sup>1</sup>
  - Backsplash
- Type 304 stainless steel
  - Basket drains
  - Apron front<sup>2</sup>
  - Leg sockets
  - Sink legs & feet

**MECHANICAL**

- Backsplash is 9" tall with a 2" wide return.
- Tile edge is 1" tall with pre-punched mounting holes, ¼" diameter.
- Faucet holes are 1⅝" diameter on 8" centers (sinks with cumulative A dimension greater than 54" are provided two sets of faucet holes).
- Sink legs are 1⅝" dia. with adjustable feet.
- Drain openings are 3½", recessed.
- Basket drains are 1½" IPS.
- Supply is ½" IPS, hot and cold.

**FEATURES**

- Sink bowl(s) are 'True Gauge', not drawn.
- Sanitary rolled rim is 2" tall x 1½" wide.
- Coved compartments are ¾" radius, both horizontal and vertical.
- Unitized construction. Stiffeners welded directly to sink bowls ensure maximum rigidity.<sup>2</sup>
- Full front apron enclosure is standard.<sup>2</sup>
- Leg sockets are welded directly to sink bowl providing proper load support.
- Drainboard(s) are pitched to drain into adjacent sink bowl.<sup>1</sup>
- Tile edge is provided with pre-punched mounting holes to securely fasten sink to the wall.
- All seams are TIG welded and ground to a smooth #4 satin finish.
- Custom configurations are available.
- NSF approved.
- Lifetime warranty.
- Proudly made in the USA.

**ACCESSORIES**

- FS-108 8" swing spout faucet
- FS-112 12" swing spout faucet
- FS-114 14" swing spout faucet
- FA-100 Wrist blade handles
- FA-200 Articulating swing arm
- FR-128 Pre-rinse spray.
- WL-200 2" IPS lever drain
- WL-201 2" IPS lever drain w/ overflow

We welcome the opportunity to help you design and configure equipment to suit your specific needs.

In keeping with our policy of continuing product improvement, we reserve the right to change product specifications without notice.

**GRIFFIN PRODUCTS, INC.**  
 303 Blue Bird Parkway  
 Wills Point, TX 75169  
 (800) 379-9709 tel  
 (903) 873-6389 fax



www.griffinproducts.com  
 © 2006 Griffin Products, Inc.

<sup>1</sup> n/a when drainboards are not present.  
<sup>2</sup> n/a for one compartment sinks.

# C60 & C75

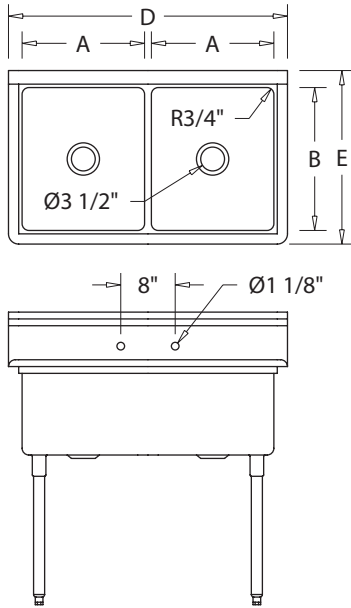
SERIES SERIES

# SCULLERY SINKS

2-Compartments • No Drainboard

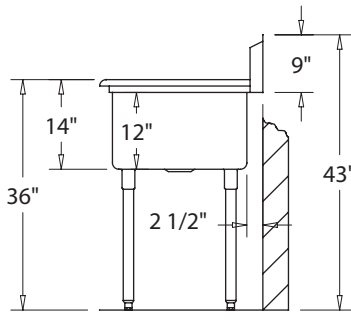
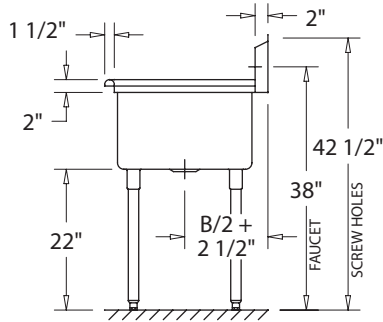
specifications

LIFETIME GUARANTEE



ROUGH-IN

SECTION



ITEM# C \_\_ - 2 \_\_ - 00

MODEL#

PROJECT

C60 C75 (specify)

<input checked="" type="checkbox"/>	<input checked="" type="checkbox"/>	MODEL	A X B	D	E
<input type="checkbox"/>	<input type="checkbox"/>	-278-00	12" x 18"	29"	22½"
<input type="checkbox"/>	<input type="checkbox"/>	-254-00	15" x 24"	35"	28½"
<input type="checkbox"/>	<input type="checkbox"/>	-268-00	16" x 18"	37"	22½"
<input type="checkbox"/>	<input type="checkbox"/>	-261-00	16" x 21"	37"	25½"
<input type="checkbox"/>	<input type="checkbox"/>	-288-00	18" x 18"	41"	22½"
<input type="checkbox"/>	<input type="checkbox"/>	-281-00	18" x 21"	41"	25½"
<input type="checkbox"/>	<input type="checkbox"/>	-284-00	18" x 24"	41"	28½"
<input type="checkbox"/>	<input type="checkbox"/>	-221-00	20" x 21"	45"	25½"
<input type="checkbox"/>	<input type="checkbox"/>	-224-00	20" x 24"	45"	28½"
<input type="checkbox"/>	<input type="checkbox"/>	-223-00	20" x 30"	45"	34½"
<input type="checkbox"/>	<input type="checkbox"/>	-244-00	24" x 24"	53"	28½"
<input type="checkbox"/>	<input type="checkbox"/>	-243-00	24" x 30"	53"	34½"

## MATERIAL

- C60 Series 16 gauge, type 304 stainless
- C75 Series 14 gauge, type 304 stainless
  - Sink bowl(s)
  - Drainboard(s)<sup>1</sup>
  - Backsplash
- Type 304 stainless steel
  - Basket drains
  - Apron front<sup>2</sup>
  - Leg sockets
  - Sink legs & feet

## MECHANICAL

- Backsplash is 9" tall with a 2" wide return.
- Tile edge is 1" tall with pre-punched mounting holes, ¼" diameter.
- Faucet holes are 1½" diameter on 8" centers (sinks with cumulative A dimension greater than 54" are provided two sets of faucet holes).
- Sink legs are 1⅝" dia. with adjustable feet.
- Drain openings are 3½", recessed.
- Basket drains are 1½" IPS.
- Supply is ½" IPS, hot and cold.

## FEATURES

- Sink bowl(s) are 'True Gauge', not drawn.
- Sanitary rolled rim is 2" tall x 1½" wide.
- Coved compartments are ¾" radius, both horizontal and vertical.
- Unitized construction. Stiffeners welded directly to sink bowls ensure maximum rigidity.<sup>2</sup>
- Full front apron enclosure is standard.<sup>2</sup>
- Leg sockets are welded directly to sink bowl providing proper load support.
- Drainboard(s) are pitched to drain into adjacent sink bowl.<sup>1</sup>
- Tile edge is provided with pre-punched mounting holes to securely fasten sink to the wall.
- All seams are TIG welded and ground to a smooth #4 satin finish.
- Custom configurations are available.
- NSF approved.
- Lifetime warranty.
- Proudly made in the USA.

## ACCESSORIES

- FS-108 8" swing spout faucet
- FS-112 12" swing spout faucet
- FS-114 14" swing spout faucet
- FA-100 Wrist blade handles
- FA-200 Articulating swing arm
- FR-128 Pre-rinse spray.
- WL-200 2" IPS lever drain
- WL-201 2" IPS lever drain w/ overflow

We welcome the opportunity to help you design and configure equipment to suit your specific needs.

In keeping with our policy of continuing product improvement, we reserve the right to change product specifications without notice.

GRIFFIN PRODUCTS, INC.  
303 Blue Bird Parkway  
Wills Point, TX 75169  
(800) 379-9709 tel  
(903) 873-6389 fax



www.griffinproducts.com  
© 2006 Griffin Products, Inc.

<sup>1</sup> n/a when drainboards are not present.

<sup>2</sup> n/a for one compartment sinks.

# C60 & C75 SERIES

# SCULLERY SINKS

2-Compartments • Lt Drainboard

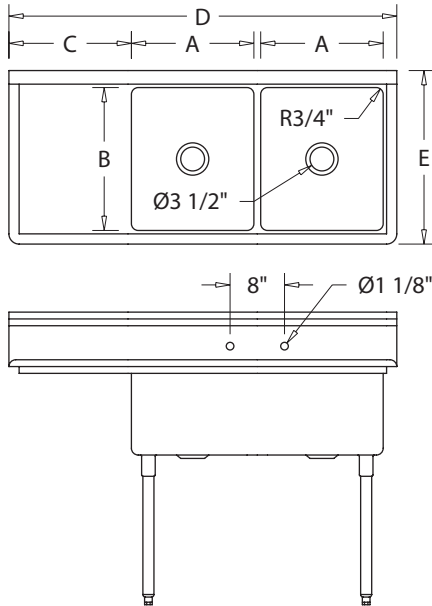
specifications

LIFETIME GUARANTEE

ITEM# C \_ \_ - 2 \_ \_ - \_ 0

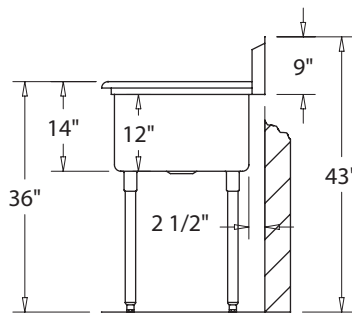
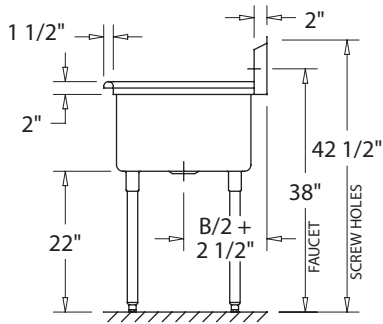
MODEL#

PROJECT



ROUGH-IN

SECTION



C60 C75 (specify)

<input type="checkbox"/>	<input type="checkbox"/>	MODEL	A X B	C	D	E
<input type="checkbox"/>	<input type="checkbox"/>	-80		18"	45"	
<input type="checkbox"/>	<input type="checkbox"/>	-278-40	12" x 18"	24"	51"	22½"
<input type="checkbox"/>	<input type="checkbox"/>	-30		30"	57"	
<input type="checkbox"/>	<input type="checkbox"/>	-80		18"	51"	
<input type="checkbox"/>	<input type="checkbox"/>	-254-40	15" x 24"	24"	57"	28½"
<input type="checkbox"/>	<input type="checkbox"/>	-30		30"	63"	
<input type="checkbox"/>	<input type="checkbox"/>	-80		18"	53"	
<input type="checkbox"/>	<input type="checkbox"/>	-268-40	16" x 18"	24"	59"	22½"
<input type="checkbox"/>	<input type="checkbox"/>	-30		30"	65"	
<input type="checkbox"/>	<input type="checkbox"/>	-80		18"	53"	
<input type="checkbox"/>	<input type="checkbox"/>	-261-40	16" x 21"	24"	59"	25½"
<input type="checkbox"/>	<input type="checkbox"/>	-30		30"	65"	
<input type="checkbox"/>	<input type="checkbox"/>	-80		18"	57"	
<input type="checkbox"/>	<input type="checkbox"/>	-288-40	18" x 18"	24"	63"	22½"
<input type="checkbox"/>	<input type="checkbox"/>	-30		30"	69"	
<input type="checkbox"/>	<input type="checkbox"/>	-80		18"	57"	
<input type="checkbox"/>	<input type="checkbox"/>	-281-40	18" x 21"	24"	63"	25½"
<input type="checkbox"/>	<input type="checkbox"/>	-30		30"	69"	
<input type="checkbox"/>	<input type="checkbox"/>	-80		18"	57"	
<input type="checkbox"/>	<input type="checkbox"/>	-284-40	18" x 24"	24"	63"	28½"
<input type="checkbox"/>	<input type="checkbox"/>	-30		30"	69"	
<input type="checkbox"/>	<input type="checkbox"/>	-80		18"	61"	
<input type="checkbox"/>	<input type="checkbox"/>	-221-40	20" x 21"	24"	67"	25½"
<input type="checkbox"/>	<input type="checkbox"/>	-30		30"	73"	
<input type="checkbox"/>	<input type="checkbox"/>	-80		18"	61"	
<input type="checkbox"/>	<input type="checkbox"/>	-224-40	20" x 24"	24"	67"	28½"
<input type="checkbox"/>	<input type="checkbox"/>	-30		30"	73"	
<input type="checkbox"/>	<input type="checkbox"/>	-80		18"	61"	
<input type="checkbox"/>	<input type="checkbox"/>	-223-40	20" x 30"	24"	67"	34½"
<input type="checkbox"/>	<input type="checkbox"/>	-30		30"	73"	
<input type="checkbox"/>	<input type="checkbox"/>	-80		18"	69"	
<input type="checkbox"/>	<input type="checkbox"/>	-244-40	24" x 24"	24"	75"	28½"
<input type="checkbox"/>	<input type="checkbox"/>	-30		30"	81"	
<input type="checkbox"/>	<input type="checkbox"/>	-80		18"	69"	
<input type="checkbox"/>	<input type="checkbox"/>	-243-40	24" x 30"	24"	75"	34½"
<input type="checkbox"/>	<input type="checkbox"/>	-30		30"	81"	

## MATERIAL

- C60 Series 16 gauge, type 304 stainless
- C75 Series 14 gauge, type 304 stainless
  - Sink bowl(s)
  - Drainboard(s)<sup>1</sup>
  - Backsplash
- Type 304 stainless steel
  - Basket drains
  - Apron front<sup>2</sup>
  - Leg sockets
  - Sink legs & feet

## MECHANICAL

- Backsplash is 9" tall with a 2" wide return.
- Tile edge is 1" tall with pre-punched mounting holes, ¼" diameter.
- Faucet holes are 1⅛" diameter on 8" centers (sinks with cumulative A dimension greater than 54" are provided two sets of faucet holes).
- Sink legs are 1⅝" dia. with adjustable feet.
- Drain openings are 3½", recessed.
- Basket drains are 1½" IPS.
- Supply is ½" IPS, hot and cold.

## FEATURES

- Sink bowl(s) are 'True Gauge', not drawn.
- Sanitary rolled rim is 2" tall x 1½" wide.
- Coved compartments are ¾" radius, both horizontal and vertical.
- Unitized construction. Stiffeners welded directly to sink bowls ensure maximum rigidity.<sup>2</sup>
- Full front apron enclosure is standard.<sup>2</sup>
- Leg sockets are welded directly to sink bowl providing proper load support.
- Drainboard(s) are pitched to drain into adjacent sink bowl.<sup>1</sup>
- Tile edge is provided with pre-punched mounting holes to securely fasten sink to the wall.
- All seams are TIG welded and ground to a smooth #4 satin finish.
- Custom configurations are available.
- NSF approved.
- Lifetime warranty.
- Proudly made in the USA.

## ACCESSORIES

- FS-108 8" swing spout faucet
- FS-112 12" swing spout faucet
- FS-114 14" swing spout faucet
- FA-100 Wrist blade handles
- FA-200 Articulating swing arm
- FR-128 Pre-rinse spray.
- WL-200 2" IPS lever drain
- WL-201 2" IPS lever drain w/ overflow

We welcome the opportunity to help you design and configure equipment to suit your specific needs.

In keeping with our policy of continuing product improvement, we reserve the right to change product specifications without notice.

GRIFFIN PRODUCTS, INC.  
303 Blue Bird Parkway  
Wills Point, TX 75169  
(800) 379-9709 tel  
(903) 873-6389 fax



www.griffinproducts.com  
© 2006 Griffin Products, Inc.

GRIFFIN PRODUCTS, INC.

<sup>1</sup> n/a when drainboards are not present.

<sup>2</sup> n/a for one compartment sinks.

# C60 & C75

SERIES SERIES

# SCULLERY SINKS

2-Compartments • Rt Drainboard

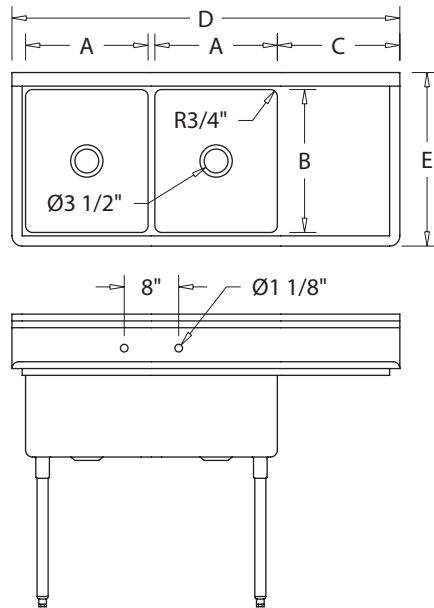
specifications

LIFETIME GUARANTEE

ITEM#      C      - 2      - 0     

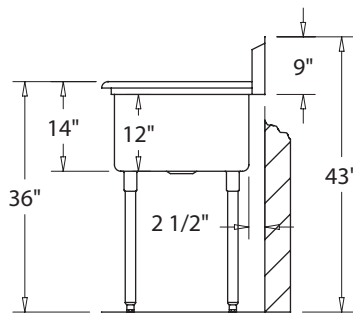
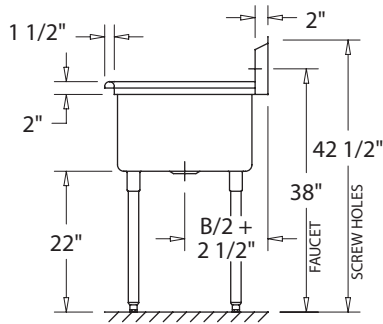
MODEL# \_\_\_\_\_

PROJECT \_\_\_\_\_



ROUGH-IN

SECTION



### C60 C75 (specify)

<input type="checkbox"/>	<input type="checkbox"/>	MODEL	A X B	C	D	E
<input type="checkbox"/>	<input type="checkbox"/>	-08		18"	45"	
<input type="checkbox"/>	<input type="checkbox"/>	-278-04	12" x 18"	24"	51"	22½"
<input type="checkbox"/>	<input type="checkbox"/>	-03		30"	57"	
<input type="checkbox"/>	<input type="checkbox"/>	-08		18"	51"	
<input type="checkbox"/>	<input type="checkbox"/>	-254-04	15" x 24"	24"	57"	28½"
<input type="checkbox"/>	<input type="checkbox"/>	-03		30"	63"	
<input type="checkbox"/>	<input type="checkbox"/>	-08		18"	53"	
<input type="checkbox"/>	<input type="checkbox"/>	-268-04	16" x 18"	24"	59"	22½"
<input type="checkbox"/>	<input type="checkbox"/>	-03		30"	65"	
<input type="checkbox"/>	<input type="checkbox"/>	-08		18"	53"	
<input type="checkbox"/>	<input type="checkbox"/>	-261-04	16" x 21"	24"	59"	25½"
<input type="checkbox"/>	<input type="checkbox"/>	-03		30"	65"	
<input type="checkbox"/>	<input type="checkbox"/>	-08		18"	57"	
<input type="checkbox"/>	<input type="checkbox"/>	-288-04	18" x 18"	24"	63"	22½"
<input type="checkbox"/>	<input type="checkbox"/>	-03		30"	69"	
<input type="checkbox"/>	<input type="checkbox"/>	-08		18"	57"	
<input type="checkbox"/>	<input type="checkbox"/>	-281-04	18" x 21"	24"	63"	25½"
<input type="checkbox"/>	<input type="checkbox"/>	-03		30"	69"	
<input type="checkbox"/>	<input type="checkbox"/>	-08		18"	57"	
<input type="checkbox"/>	<input type="checkbox"/>	-284-04	18" x 24"	24"	63"	28½"
<input type="checkbox"/>	<input type="checkbox"/>	-03		30"	69"	
<input type="checkbox"/>	<input type="checkbox"/>	-08		18"	61"	
<input type="checkbox"/>	<input type="checkbox"/>	-221-04	20" x 21"	24"	67"	25½"
<input type="checkbox"/>	<input type="checkbox"/>	-03		30"	73"	
<input type="checkbox"/>	<input type="checkbox"/>	-08		18"	61"	
<input type="checkbox"/>	<input type="checkbox"/>	-224-04	20" x 24"	24"	67"	28½"
<input type="checkbox"/>	<input type="checkbox"/>	-03		30"	73"	
<input type="checkbox"/>	<input type="checkbox"/>	-08		18"	61"	
<input type="checkbox"/>	<input type="checkbox"/>	-223-04	20" x 30"	24"	67"	34½"
<input type="checkbox"/>	<input type="checkbox"/>	-03		30"	73"	
<input type="checkbox"/>	<input type="checkbox"/>	-08		18"	69"	
<input type="checkbox"/>	<input type="checkbox"/>	-244-04	24" x 24"	24"	75"	28½"
<input type="checkbox"/>	<input type="checkbox"/>	-03		30"	81"	
<input type="checkbox"/>	<input type="checkbox"/>	-08		18"	69"	
<input type="checkbox"/>	<input type="checkbox"/>	-243-04	24" x 30"	24"	75"	34½"
<input type="checkbox"/>	<input type="checkbox"/>	-03		30"	81"	

### MATERIAL

- C60 Series 16 gauge, type 304 stainless
- C75 Series 14 gauge, type 304 stainless
  - Sink bowl(s)
  - Drainboard(s)<sup>1</sup>
  - Backsplash
- Type 304 stainless steel
  - Basket drains
  - Apron front<sup>2</sup>
  - Leg sockets
  - Sink legs & feet

### MECHANICAL

- Backsplash is 9" tall with a 2" wide return.
- Tile edge is 1" tall with pre-punched mounting holes, ¼" diameter.
- Faucet holes are 1½" diameter on 8" centers (sinks with cumulative A dimension greater than 54" are provided two sets of faucet holes).
- Sink legs are 1⅝" dia. with adjustable feet.
- Drain openings are 3½", recessed.
- Basket drains are 1½" IPS.
- Supply is ½" IPS, hot and cold.

### FEATURES

- Sink bowl(s) are 'True Gauge', not drawn.
- Sanitary rolled rim is 2" tall x 1½" wide.
- Coved compartments are ¾" radius, both horizontal and vertical.
- Unitized construction. Stiffeners welded directly to sink bowls ensure maximum rigidity.<sup>2</sup>
- Full front apron enclosure is standard.<sup>2</sup>
- Leg sockets are welded directly to sink bowl providing proper load support.
- Drainboard(s) are pitched to drain into adjacent sink bowl.<sup>1</sup>
- Tile edge is provided with pre-punched mounting holes to securely fasten sink to the wall.
- All seams are TIG welded and ground to a smooth #4 satin finish.
- Custom configurations are available.
- NSF approved.
- Lifetime warranty.
- Proudly made in the USA.

### ACCESSORIES

- FS-108 8" swing spout faucet
- FS-112 12" swing spout faucet
- FS-114 14" swing spout faucet
- FA-100 Wrist blade handles
- FA-200 Articulating swing arm
- FR-128 Pre-rinse spray.
- WL-200 2" IPS lever drain
- WL-201 2" IPS lever drain w/ overflow

We welcome the opportunity to help you design and configure equipment to suit your specific needs.

In keeping with our policy of continuing product improvement, we reserve the right to change product specifications without notice.

GRIFFIN PRODUCTS, INC.  
303 Blue Bird Parkway  
Wills Point, TX 75169  
(800) 379-9709 tel  
(903) 873-6389 fax



www.griffinproducts.com  
© 2006 Griffin Products, Inc.

<sup>1</sup> n/a when drainboards are not present.

<sup>2</sup> n/a for one compartment sinks.

# C60 & C75 SERIES

# SCULLERY SINKS

2-Compartments • L&R Drainboards

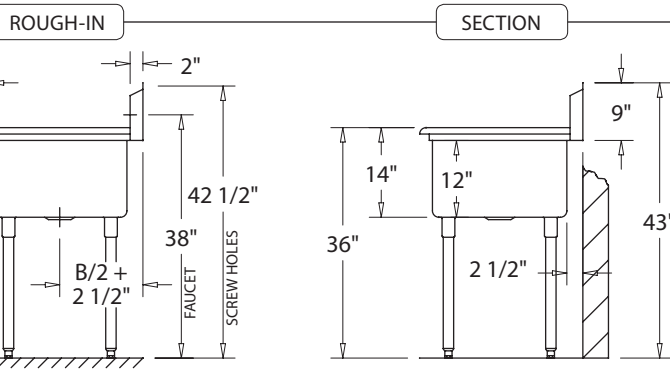
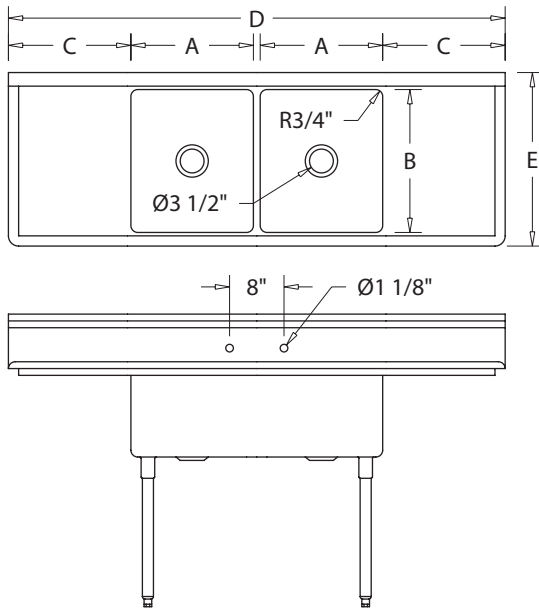
specifications

LIFETIME GUARANTEE

ITEM#     C    -    2    -    -    -    

MODEL# \_\_\_\_\_

PROJECT \_\_\_\_\_



**C60 C75** (specify)

<input type="checkbox"/>	<input type="checkbox"/>	MODEL	A X B	C	D	E
<input type="checkbox"/>	<input type="checkbox"/>	-88		18"	61"	
<input type="checkbox"/>	<input type="checkbox"/>	-278-44	12" x 18"	24"	73"	22½"
<input type="checkbox"/>	<input type="checkbox"/>	-33		30"	85"	
<input type="checkbox"/>	<input type="checkbox"/>	-88		18"	67"	
<input type="checkbox"/>	<input type="checkbox"/>	-254-44	15" x 24"	24"	79"	28½"
<input type="checkbox"/>	<input type="checkbox"/>	-33		30"	91"	
<input type="checkbox"/>	<input type="checkbox"/>	-88		18"	69"	
<input type="checkbox"/>	<input type="checkbox"/>	-268-44	16" x 18"	24"	81"	22½"
<input type="checkbox"/>	<input type="checkbox"/>	-33		30"	93"	
<input type="checkbox"/>	<input type="checkbox"/>	-88		18"	69"	
<input type="checkbox"/>	<input type="checkbox"/>	-261-44	16" x 21"	24"	81"	25½"
<input type="checkbox"/>	<input type="checkbox"/>	-33		30"	93"	
<input type="checkbox"/>	<input type="checkbox"/>	-88		18"	73"	
<input type="checkbox"/>	<input type="checkbox"/>	-288-44	18" x 18"	24"	85"	22½"
<input type="checkbox"/>	<input type="checkbox"/>	-33		30"	97"	
<input type="checkbox"/>	<input type="checkbox"/>	-88		18"	73"	
<input type="checkbox"/>	<input type="checkbox"/>	-281-44	18" x 21"	24"	85"	25½"
<input type="checkbox"/>	<input type="checkbox"/>	-33		30"	97"	
<input type="checkbox"/>	<input type="checkbox"/>	-88		18"	73"	
<input type="checkbox"/>	<input type="checkbox"/>	-284-44	18" x 24"	24"	85"	28½"
<input type="checkbox"/>	<input type="checkbox"/>	-33		30"	97"	
<input type="checkbox"/>	<input type="checkbox"/>	-88		18"	77"	
<input type="checkbox"/>	<input type="checkbox"/>	-221-44	20" x 21"	24"	89"	25½"
<input type="checkbox"/>	<input type="checkbox"/>	-33		30"	101"	
<input type="checkbox"/>	<input type="checkbox"/>	-88		18"	77"	
<input type="checkbox"/>	<input type="checkbox"/>	-224-44	20" x 24"	24"	89"	28½"
<input type="checkbox"/>	<input type="checkbox"/>	-33		30"	101"	
<input type="checkbox"/>	<input type="checkbox"/>	-88		18"	77"	
<input type="checkbox"/>	<input type="checkbox"/>	-223-44	20" x 30"	24"	89"	34½"
<input type="checkbox"/>	<input type="checkbox"/>	-33		30"	101"	
<input type="checkbox"/>	<input type="checkbox"/>	-88		18"	85"	
<input type="checkbox"/>	<input type="checkbox"/>	-244-44	24" x 24"	24"	97"	28½"
<input type="checkbox"/>	<input type="checkbox"/>	-33		30"	109"	
<input type="checkbox"/>	<input type="checkbox"/>	-88		18"	85"	
<input type="checkbox"/>	<input type="checkbox"/>	-243-44	24" x 30"	24"	97"	34½"
<input type="checkbox"/>	<input type="checkbox"/>	-33		30"	109"	

**MATERIAL**

- C60 Series 16 gauge, type 304 stainless
- C75 Series 14 gauge, type 304 stainless
  - Sink bowl(s)
  - Drainboard(s)<sup>1</sup>
  - Backsplash
- Type 304 stainless steel
  - Basket drains
  - Apron front<sup>2</sup>
  - Leg sockets
  - Sink legs & feet

**MECHANICAL**

- Backsplash is 9" tall with a 2" wide return.
- Tile edge is 1" tall with pre-punched mounting holes, ¼" diameter.
- Faucet holes are 1⅞" diameter on 8" centers (sinks with cumulative A dimension greater than 54" are provided two sets of faucet holes).
- Sink legs are 1⅝" dia. with adjustable feet.
- Drain openings are 3½", recessed.
- Basket drains are 1½" IPS.
- Supply is ½" IPS, hot and cold.

**FEATURES**

- Sink bowl(s) are 'True Gauge', not drawn.
- Sanitary rolled rim is 2" tall x 1½" wide.
- Coved compartments are ¾" radius, both horizontal and vertical.
- Unitized construction. Stiffeners welded directly to sink bowls ensure maximum rigidity.<sup>2</sup>
- Full front apron enclosure is standard.<sup>2</sup>
- Leg sockets are welded directly to sink bowl providing proper load support.
- Drainboard(s) are pitched to drain into adjacent sink bowl.<sup>1</sup>
- Tile edge is provided with pre-punched mounting holes to securely fasten sink to the wall.
- All seams are TIG welded and ground to a smooth #4 satin finish.
- Custom configurations are available.
- NSF approved.
- Lifetime warranty.
- Proudly made in the USA.

**ACCESSORIES**

- FS-108 8" swing spout faucet
- FS-112 12" swing spout faucet
- FS-114 14" swing spout faucet
- FA-100 Wrist blade handles
- FA-200 Articulating swing arm
- FR-128 Pre-rinse spray.
- WL-200 2" IPS lever drain
- WL-201 2" IPS lever drain w/ overflow

We welcome the opportunity to help you design and configure equipment to suit your specific needs.

In keeping with our policy of continuing product improvement, we reserve the right to change product specifications without notice.

**GRIFFIN PRODUCTS, INC.**  
 303 Blue Bird Parkway  
 Wills Point, TX 75169  
 (800) 379-9709 tel  
 (903) 873-6389 fax



www.griffinproducts.com  
 © 2006 Griffin Products, Inc.

<sup>1</sup> n/a when drainboards are not present.  
<sup>2</sup> n/a for one compartment sinks.



# C60 & C75

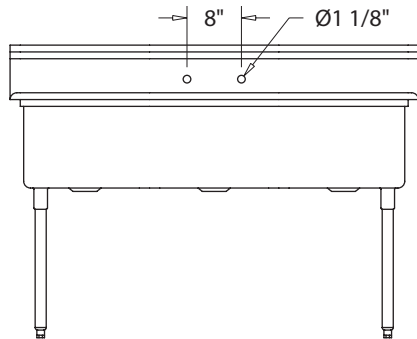
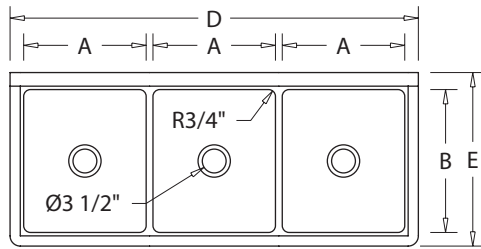
SERIES SERIES

# SCULLERY SINKS

3-Compartments • No Drainboard

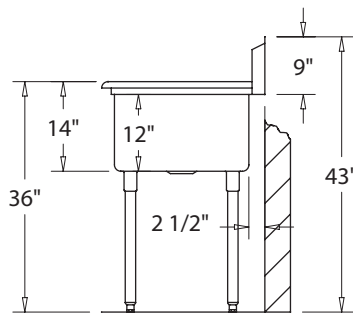
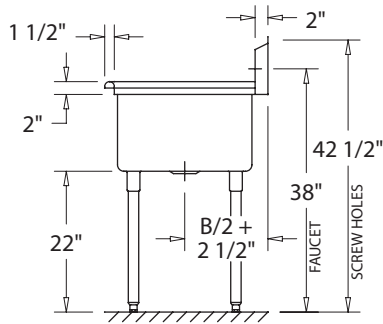
specifications

LIFETIME GUARANTEE



ROUGH-IN

SECTION



ITEM# C \_ \_ - 3 \_ \_ - 0 0

MODEL#

PROJECT

C60 C75 (specify)

<input checked="" type="checkbox"/>	<input checked="" type="checkbox"/>	MODEL	A X B	D	E
<input type="checkbox"/>	<input type="checkbox"/>	-378-00	12" x 18"	42"	22½"
<input type="checkbox"/>	<input type="checkbox"/>	-354-00	15" x 24"	51"	28½"
<input type="checkbox"/>	<input type="checkbox"/>	-368-00	16" x 18"	54"	22½"
<input type="checkbox"/>	<input type="checkbox"/>	-361-00	16" x 21"	54"	25½"
<input type="checkbox"/>	<input type="checkbox"/>	-388-00	18" x 18"	60"	22½"
<input type="checkbox"/>	<input type="checkbox"/>	-381-00	18" x 21"	60"	25½"
<input type="checkbox"/>	<input type="checkbox"/>	-384-00	18" x 24"	60"	28½"
<input type="checkbox"/>	<input type="checkbox"/>	-321-00	20" x 21"	66"	25½"
<input type="checkbox"/>	<input type="checkbox"/>	-324-00	20" x 24"	66"	28½"
<input type="checkbox"/>	<input type="checkbox"/>	-323-00	20" x 30"	66"	34½"
<input type="checkbox"/>	<input type="checkbox"/>	-344-00	24" x 24"	78"	28½"
<input type="checkbox"/>	<input type="checkbox"/>	-343-00	24" x 30"	78"	34½"

## MATERIAL

- C60 Series 16 gauge, type 304 stainless
- C75 Series 14 gauge, type 304 stainless
  - Sink bowl(s)
  - Drainboard(s)<sup>1</sup>
  - Backsplash
- Type 304 stainless steel
  - Basket drains
  - Apron front<sup>2</sup>
  - Leg sockets
  - Sink legs & feet

## MECHANICAL

- Backsplash is 9" tall with a 2" wide return.
- Tile edge is 1" tall with pre-punched mounting holes, ¼" diameter.
- Faucet holes are 1½" diameter on 8" centers (sinks with cumulative A dimension greater than 54" are provided two sets of faucet holes).
- Sink legs are 1⅝" dia. with adjustable feet.
- Drain openings are 3½", recessed.
- Basket drains are 1½" IPS.
- Supply is ½" IPS, hot and cold.

## FEATURES

- Sink bowl(s) are 'True Gauge', not drawn.
- Sanitary rolled rim is 2" tall x 1½" wide.
- Coved compartments are ¾" radius, both horizontal and vertical.
- Unitized construction. Stiffeners welded directly to sink bowls ensure maximum rigidity.<sup>2</sup>
- Full front apron enclosure is standard.<sup>2</sup>
- Leg sockets are welded directly to sink bowl providing proper load support.
- Drainboard(s) are pitched to drain into adjacent sink bowl.<sup>1</sup>
- Tile edge is provided with pre-punched mounting holes to securely fasten sink to the wall.
- All seams are TIG welded and ground to a smooth #4 satin finish.
- Custom configurations are available.
- NSF approved.
- Lifetime warranty.
- Proudly made in the USA.

## ACCESSORIES

- FS-108 8" swing spout faucet
- FS-112 12" swing spout faucet
- FS-114 14" swing spout faucet
- FA-100 Wrist blade handles
- FA-200 Articulating swing arm
- FR-128 Pre-rinse spray.
- WL-200 2" IPS lever drain
- WL-201 2" IPS lever drain w/ overflow

We welcome the opportunity to help you design and configure equipment to suit your specific needs.

In keeping with our policy of continuing product improvement, we reserve the right to change product specifications without notice.

**GRIFFIN PRODUCTS, INC.**  
 303 Blue Bird Parkway  
 Wills Point, TX 75169  
 (800) 379-9709 tel  
 (903) 873-6389 fax

www.griffinproducts.com  
 © 2006 Griffin Products, Inc.



<sup>1</sup> n/a when drainboards are not present.

<sup>2</sup> n/a for one compartment sinks.

# C60 & C75 SERIES

# SCULLERY SINKS

3-Compartments • Lt Drainboard

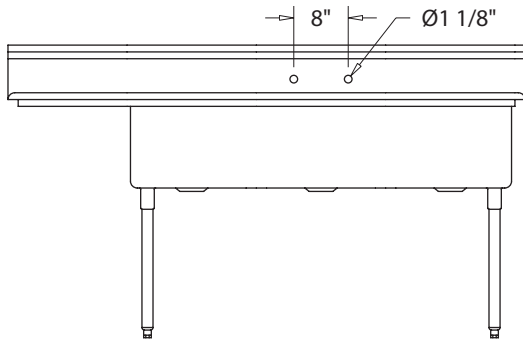
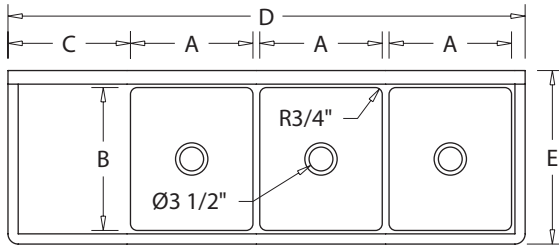
specifications

LIFETIME GUARANTEE

ITEM# C \_ \_ - 3 \_ \_ - \_ 0

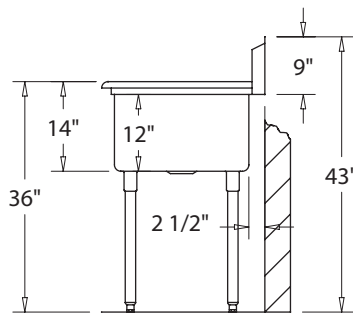
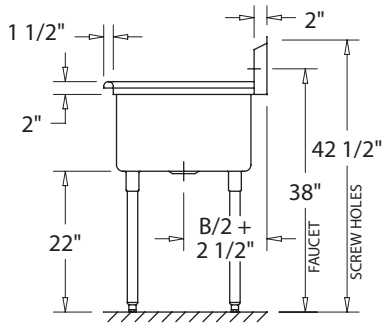
MODEL#

PROJECT



ROUGH-IN

SECTION



### C60 C75 (specify)

<input type="checkbox"/>	<input type="checkbox"/>	MODEL	A X B	C	D	E
<input type="checkbox"/>	<input type="checkbox"/>	-80		18"	58"	
<input type="checkbox"/>	<input type="checkbox"/>	-378-40	12" x 18"	24"	64"	22½"
<input type="checkbox"/>	<input type="checkbox"/>	-30		30"	70"	
<input type="checkbox"/>	<input type="checkbox"/>	-80		18"	67"	
<input type="checkbox"/>	<input type="checkbox"/>	-354-40	15" x 24"	24"	73"	28½"
<input type="checkbox"/>	<input type="checkbox"/>	-30		30"	79"	
<input type="checkbox"/>	<input type="checkbox"/>	-80		18"	70"	
<input type="checkbox"/>	<input type="checkbox"/>	-368-40	16" x 18"	24"	76"	22½"
<input type="checkbox"/>	<input type="checkbox"/>	-30		30"	82"	
<input type="checkbox"/>	<input type="checkbox"/>	-80		18"	70"	
<input type="checkbox"/>	<input type="checkbox"/>	-361-40	16" x 21"	24"	76"	25½"
<input type="checkbox"/>	<input type="checkbox"/>	-30		30"	82"	
<input type="checkbox"/>	<input type="checkbox"/>	-80		18"	76"	
<input type="checkbox"/>	<input type="checkbox"/>	-388-40	18" x 18"	24"	82"	22½"
<input type="checkbox"/>	<input type="checkbox"/>	-30		30"	88"	
<input type="checkbox"/>	<input type="checkbox"/>	-80		18"	76"	
<input type="checkbox"/>	<input type="checkbox"/>	-381-40	18" x 21"	24"	82"	25½"
<input type="checkbox"/>	<input type="checkbox"/>	-30		30"	88"	
<input type="checkbox"/>	<input type="checkbox"/>	-80		18"	76"	
<input type="checkbox"/>	<input type="checkbox"/>	-384-40	18" x 24"	24"	82"	28½"
<input type="checkbox"/>	<input type="checkbox"/>	-30		30"	88"	
<input type="checkbox"/>	<input type="checkbox"/>	-80		18"	82"	
<input type="checkbox"/>	<input type="checkbox"/>	-321-40	20" x 21"	24"	88"	25½"
<input type="checkbox"/>	<input type="checkbox"/>	-30		30"	94"	
<input type="checkbox"/>	<input type="checkbox"/>	-80		18"	82"	
<input type="checkbox"/>	<input type="checkbox"/>	-324-40	20" x 24"	24"	88"	28½"
<input type="checkbox"/>	<input type="checkbox"/>	-30		30"	94"	
<input type="checkbox"/>	<input type="checkbox"/>	-80		18"	82"	
<input type="checkbox"/>	<input type="checkbox"/>	-323-40	20" x 30"	24"	88"	34½"
<input type="checkbox"/>	<input type="checkbox"/>	-30		30"	94"	
<input type="checkbox"/>	<input type="checkbox"/>	-80		18"	94"	
<input type="checkbox"/>	<input type="checkbox"/>	-344-40	24" x 24"	24"	100"	28½"
<input type="checkbox"/>	<input type="checkbox"/>	-30		30"	106"	
<input type="checkbox"/>	<input type="checkbox"/>	-80		18"	94"	
<input type="checkbox"/>	<input type="checkbox"/>	-343-40	24" x 30"	24"	100"	34½"
<input type="checkbox"/>	<input type="checkbox"/>	-30		30"	106"	

### MATERIAL

- C60 Series 16 gauge, type 304 stainless
- C75 Series 14 gauge, type 304 stainless
  - Sink bowl(s)
  - Drainboard(s)<sup>1</sup>
  - Backsplash
- Type 304 stainless steel
  - Basket drains
  - Apron front<sup>2</sup>
  - Leg sockets
  - Sink legs & feet

### MECHANICAL

- Backsplash is 9" tall with a 2" wide return.
- Tile edge is 1" tall with pre-punched mounting holes, ¼" diameter.
- Faucet holes are 1⅛" diameter on 8" centers (sinks with cumulative A dimension greater than 54" are provided two sets of faucet holes).
- Sink legs are 1⅝" dia. with adjustable feet.
- Drain openings are 3½", recessed.
- Basket drains are 1½" IPS.
- Supply is ½" IPS, hot and cold.

### FEATURES

- Sink bowl(s) are 'True Gauge', not drawn.
- Sanitary rolled rim is 2" tall x 1½" wide.
- Coved compartments are ¾" radius, both horizontal and vertical.
- Unitized construction. Stiffeners welded directly to sink bowls ensure maximum rigidity.<sup>2</sup>
- Full front apron enclosure is standard.<sup>2</sup>
- Leg sockets are welded directly to sink bowl providing proper load support.
- Drainboard(s) are pitched to drain into adjacent sink bowl.<sup>1</sup>
- Tile edge is provided with pre-punched mounting holes to securely fasten sink to the wall.
- All seams are TIG welded and ground to a smooth #4 satin finish.
- Custom configurations are available.
- NSF approved.
- Lifetime warranty.
- Proudly made in the USA.

### ACCESSORIES

- FS-108 8" swing spout faucet
- FS-112 12" swing spout faucet
- FS-114 14" swing spout faucet
- FA-100 Wrist blade handles
- FA-200 Articulating swing arm
- FR-128 Pre-rinse spray.
- WL-200 2" IPS lever drain
- WL-201 2" IPS lever drain w/ overflow

We welcome the opportunity to help you design and configure equipment to suit your specific needs.

In keeping with our policy of continuing product improvement, we reserve the right to change product specifications without notice.

**GRIFFIN PRODUCTS, INC.**  
 303 Blue Bird Parkway  
 Wills Point, TX 75169  
 (800) 379-9709 tel  
 (903) 873-6389 fax



www.griffinproducts.com  
 © 2006 Griffin Products, Inc.

**GRIFFIN PRODUCTS, INC.**

<sup>1</sup> n/a when drainboards are not present.

<sup>2</sup> n/a for one compartment sinks.

# C60 & C75

SERIES SERIES

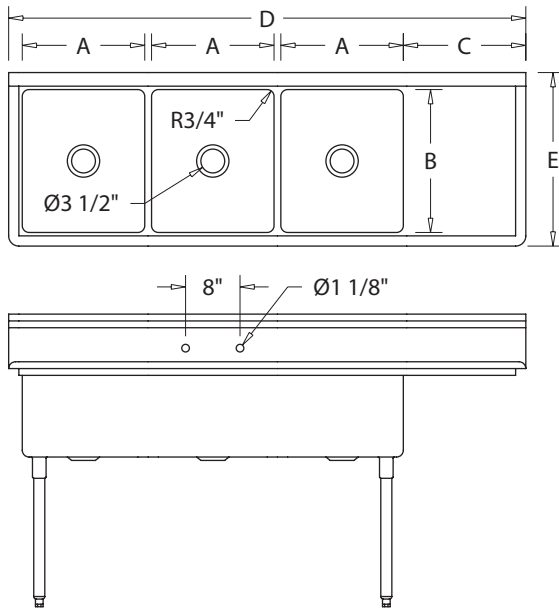
# SCULLERY SINKS

3-Compartments • Rt Drainboard

specifications

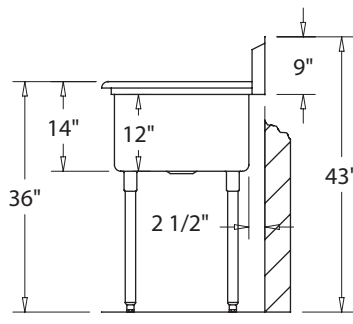
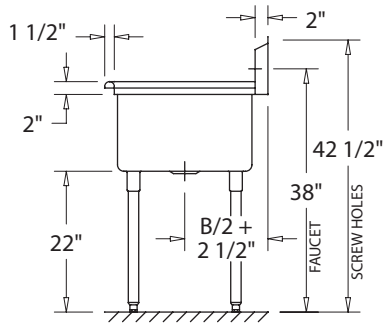
LIFETIME GUARANTEE

ITEM# **C** \_ \_ - **3** \_ \_ - **0** \_  
 MODEL#  
 PROJECT



ROUGH-IN

SECTION



### C60 C75 (specify)

<input type="checkbox"/>	<input type="checkbox"/>	MODEL	A X B	C	D	E
<input type="checkbox"/>	<input type="checkbox"/>	-08		18"	58"	
<input type="checkbox"/>	<input type="checkbox"/>	-378-04	12" x 18"	24"	64"	22½"
<input type="checkbox"/>	<input type="checkbox"/>	-03		30"	70"	
<input type="checkbox"/>	<input type="checkbox"/>	-08		18"	67"	
<input type="checkbox"/>	<input type="checkbox"/>	-354-04	15" x 24"	24"	73"	28½"
<input type="checkbox"/>	<input type="checkbox"/>	-03		30"	79"	
<input type="checkbox"/>	<input type="checkbox"/>	-08		18"	70"	
<input type="checkbox"/>	<input type="checkbox"/>	-368-04	16" x 18"	24"	76"	22½"
<input type="checkbox"/>	<input type="checkbox"/>	-03		30"	82"	
<input type="checkbox"/>	<input type="checkbox"/>	-08		18"	70"	
<input type="checkbox"/>	<input type="checkbox"/>	-361-04	16" x 21"	24"	76"	25½"
<input type="checkbox"/>	<input type="checkbox"/>	-03		30"	82"	
<input type="checkbox"/>	<input type="checkbox"/>	-08		18"	76"	
<input type="checkbox"/>	<input type="checkbox"/>	-388-04	18" x 18"	24"	82"	22½"
<input type="checkbox"/>	<input type="checkbox"/>	-03		30"	88"	
<input type="checkbox"/>	<input type="checkbox"/>	-08		18"	76"	
<input type="checkbox"/>	<input type="checkbox"/>	-381-04	18" x 21"	24"	82"	25½"
<input type="checkbox"/>	<input type="checkbox"/>	-03		30"	88"	
<input type="checkbox"/>	<input type="checkbox"/>	-08		18"	76"	
<input type="checkbox"/>	<input type="checkbox"/>	-384-04	18" x 24"	24"	82"	28½"
<input type="checkbox"/>	<input type="checkbox"/>	-03		30"	88"	
<input type="checkbox"/>	<input type="checkbox"/>	-08		18"	82"	
<input type="checkbox"/>	<input type="checkbox"/>	-321-04	20" x 21"	24"	88"	25½"
<input type="checkbox"/>	<input type="checkbox"/>	-03		30"	94"	
<input type="checkbox"/>	<input type="checkbox"/>	-08		18"	82"	
<input type="checkbox"/>	<input type="checkbox"/>	-324-04	20" x 24"	24"	88"	28½"
<input type="checkbox"/>	<input type="checkbox"/>	-03		30"	94"	
<input type="checkbox"/>	<input type="checkbox"/>	-08		18"	82"	
<input type="checkbox"/>	<input type="checkbox"/>	-323-04	20" x 30"	24"	88"	34½"
<input type="checkbox"/>	<input type="checkbox"/>	-03		30"	94"	
<input type="checkbox"/>	<input type="checkbox"/>	-08		18"	94"	
<input type="checkbox"/>	<input type="checkbox"/>	-344-04	24" x 24"	24"	100"	28½"
<input type="checkbox"/>	<input type="checkbox"/>	-03		30"	106"	
<input type="checkbox"/>	<input type="checkbox"/>	-08		18"	94"	
<input type="checkbox"/>	<input type="checkbox"/>	-343-04	24" x 30"	24"	100"	34½"
<input type="checkbox"/>	<input type="checkbox"/>	-03		30"	106"	

### MATERIAL

- C60 Series 16 gauge, type 304 stainless
- C75 Series 14 gauge, type 304 stainless
  - Sink bowl(s)
  - Drainboard(s)<sup>1</sup>
  - Backsplash
- Type 304 stainless steel
  - Basket drains
  - Apron front<sup>2</sup>
  - Leg sockets
  - Sink legs & feet

### MECHANICAL

- Backsplash is 9" tall with a 2" wide return.
- Tile edge is 1" tall with pre-punched mounting holes, ¼" diameter.
- Faucet holes are 1½" diameter on 8" centers (sinks with cumulative A dimension greater than 54" are provided two sets of faucet holes).
- Sink legs are 1⅝" dia. with adjustable feet.
- Drain openings are 3½", recessed.
- Basket drains are 1½" IPS.
- Supply is ½" IPS, hot and cold.

### FEATURES

- Sink bowl(s) are 'True Gauge', not drawn.
- Sanitary rolled rim is 2" tall x 1½" wide.
- Coved compartments are ¾" radius, both horizontal and vertical.
- Unitized construction. Stiffeners welded directly to sink bowls ensure maximum rigidity.<sup>2</sup>
- Full front apron enclosure is standard.<sup>2</sup>
- Leg sockets are welded directly to sink bowl providing proper load support.
- Drainboard(s) are pitched to drain into adjacent sink bowl.<sup>1</sup>
- Tile edge is provided with pre-punched mounting holes to securely fasten sink to the wall.
- All seams are TIG welded and ground to a smooth #4 satin finish.
- Custom configurations are available.
- NSF approved.
- Lifetime warranty.
- Proudly made in the USA.

### ACCESSORIES

- FS-108 8" swing spout faucet
- FS-112 12" swing spout faucet
- FS-114 14" swing spout faucet
- FA-100 Wrist blade handles
- FA-200 Articulating swing arm
- FR-128 Pre-rinse spray.
- WL-200 2" IPS lever drain
- WL-201 2" IPS lever drain w/ overflow

We welcome the opportunity to help you design and configure equipment to suit your specific needs.

In keeping with our policy of continuing product improvement, we reserve the right to change product specifications without notice.

GRIFFIN PRODUCTS, INC.  
 303 Blue Bird Parkway  
 Wills Point, TX 75169  
 (800) 379-9709 tel  
 (903) 873-6389 fax



www.griffinproducts.com  
 © 2006 Griffin Products, Inc.

<sup>1</sup> n/a when drainboards are not present.

<sup>2</sup> n/a for one compartment sinks.

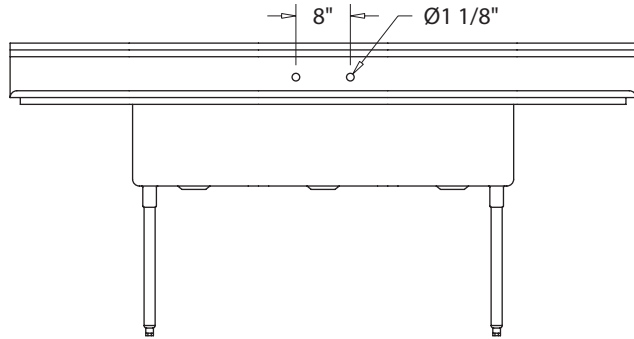
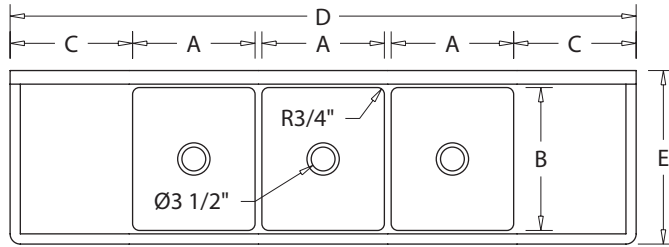
# C60 & C75 SERIES

# SCULLERY SINKS

3-Compartments • L&R Drainboards

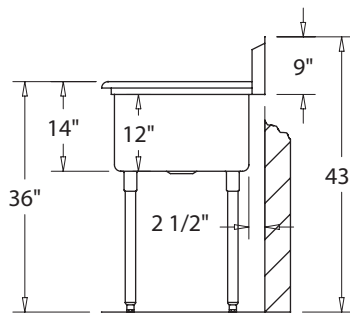
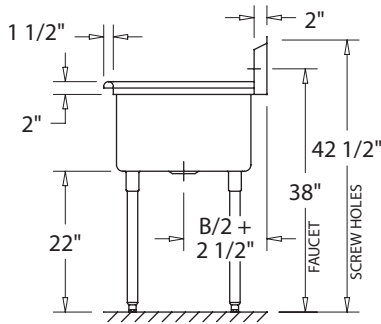
specifications

LIFETIME GUARANTEE



ROUGH-IN

SECTION



ITEM#     C    -    3    -    -    -    -    

MODEL# \_\_\_\_\_

PROJECT \_\_\_\_\_

**C60 C75** (specify)

<input type="checkbox"/>	<input type="checkbox"/>	MODEL	A X B	C	D	E
<input type="checkbox"/>	<input type="checkbox"/>	-88		18"	74"	
<input type="checkbox"/>	<input type="checkbox"/>	-378-44	12" x 18"	24"	86"	22½"
<input type="checkbox"/>	<input type="checkbox"/>	-33		30"	98"	
<input type="checkbox"/>	<input type="checkbox"/>	-88		18"	83"	
<input type="checkbox"/>	<input type="checkbox"/>	-354-44	15" x 24"	24"	95"	28½"
<input type="checkbox"/>	<input type="checkbox"/>	-33		30"	107"	
<input type="checkbox"/>	<input type="checkbox"/>	-88		18"	86"	
<input type="checkbox"/>	<input type="checkbox"/>	-368-44	16" x 18"	24"	98"	22½"
<input type="checkbox"/>	<input type="checkbox"/>	-33		30"	110"	
<input type="checkbox"/>	<input type="checkbox"/>	-88		18"	86"	
<input type="checkbox"/>	<input type="checkbox"/>	-361-44	16" x 21"	24"	98"	25½"
<input type="checkbox"/>	<input type="checkbox"/>	-33		30"	110"	
<input type="checkbox"/>	<input type="checkbox"/>	-88		18"	92"	
<input type="checkbox"/>	<input type="checkbox"/>	-388-44	18" x 18"	24"	104"	22½"
<input type="checkbox"/>	<input type="checkbox"/>	-33		30"	116"	
<input type="checkbox"/>	<input type="checkbox"/>	-88		18"	92"	
<input type="checkbox"/>	<input type="checkbox"/>	-381-44	18" x 21"	24"	104"	25½"
<input type="checkbox"/>	<input type="checkbox"/>	-33		30"	116"	
<input type="checkbox"/>	<input type="checkbox"/>	-88		18"	92"	
<input type="checkbox"/>	<input type="checkbox"/>	-384-44	18" x 24"	24"	104"	28½"
<input type="checkbox"/>	<input type="checkbox"/>	-33		30"	116"	
<input type="checkbox"/>	<input type="checkbox"/>	-88		18"	98"	
<input type="checkbox"/>	<input type="checkbox"/>	-321-44	20" x 21"	24"	110"	25½"
<input type="checkbox"/>	<input type="checkbox"/>	-33		30"	122"	
<input type="checkbox"/>	<input type="checkbox"/>	-88		18"	98"	
<input type="checkbox"/>	<input type="checkbox"/>	-324-44	20" x 24"	24"	110"	28½"
<input type="checkbox"/>	<input type="checkbox"/>	-33		30"	122"	
<input type="checkbox"/>	<input type="checkbox"/>	-88		18"	98"	
<input type="checkbox"/>	<input type="checkbox"/>	-323-44	20" x 30"	24"	110"	34½"
<input type="checkbox"/>	<input type="checkbox"/>	-33		30"	122"	
<input type="checkbox"/>	<input type="checkbox"/>	-88		18"	110"	
<input type="checkbox"/>	<input type="checkbox"/>	-344-44	24" x 24"	24"	122"	28½"
<input type="checkbox"/>	<input type="checkbox"/>	-33		30"	134"	
<input type="checkbox"/>	<input type="checkbox"/>	-88		18"	110"	
<input type="checkbox"/>	<input type="checkbox"/>	-343-44	24" x 30"	24"	122"	34½"
<input type="checkbox"/>	<input type="checkbox"/>	-33		30"	134"	

**MATERIAL**

- C60 Series 16 gauge, type 304 stainless
- C75 Series 14 gauge, type 304 stainless
  - Sink bowl(s)
  - Drainboard(s)<sup>1</sup>
  - Backsplash
- Type 304 stainless steel
  - Basket drains
  - Apron front<sup>2</sup>
  - Leg sockets
  - Sink legs & feet

**MECHANICAL**

- Backsplash is 9" tall with a 2" wide return.
- Tile edge is 1" tall with pre-punched mounting holes, ¼" diameter.
- Faucet holes are 1⅞" diameter on 8" centers (sinks with cumulative A dimension greater than 54" are provided two sets of faucet holes).
- Sink legs are 1⅝" dia. with adjustable feet.
- Drain openings are 3½", recessed.
- Basket drains are 1½" IPS.
- Supply is ½" IPS, hot and cold.

**FEATURES**

- Sink bowl(s) are 'True Gauge', not drawn.
- Sanitary rolled rim is 2" tall x 1½" wide.
- Coved compartments are ¾" radius, both horizontal and vertical.
- Unitized construction. Stiffeners welded directly to sink bowls ensure maximum rigidity.<sup>2</sup>
- Full front apron enclosure is standard.<sup>2</sup>
- Leg sockets are welded directly to sink bowl providing proper load support.
- Drainboard(s) are pitched to drain into adjacent sink bowl.<sup>1</sup>
- Tile edge is provided with pre-punched mounting holes to securely fasten sink to the wall.
- All seams are TIG welded and ground to a smooth #4 satin finish.
- Custom configurations are available.
- NSF approved.
- Lifetime warranty.
- Proudly made in the USA.

**ACCESSORIES**

- FS-108 8" swing spout faucet
- FS-112 12" swing spout faucet
- FS-114 14" swing spout faucet
- FA-100 Wrist blade handles
- FA-200 Articulating swing arm
- FR-128 Pre-rinse spray.
- WL-200 2" IPS lever drain
- WL-201 2" IPS lever drain w/ overflow

We welcome the opportunity to help you design and configure equipment to suit your specific needs.

In keeping with our policy of continuing product improvement, we reserve the right to change product specifications without notice.

**GRIFFIN PRODUCTS, INC.**  
 303 Blue Bird Parkway  
 Wills Point, TX 75169  
 (800) 379-9709 tel  
 (903) 873-6389 fax



www.griffinproducts.com  
 © 2006 Griffin Products, Inc.

<sup>1</sup> n/a when drainboards are not present.  
<sup>2</sup> n/a for one compartment sinks.

# T60 & T75

SERIES SERIES

# SCULLERY SINKS

1-Compartment • No Drainboard

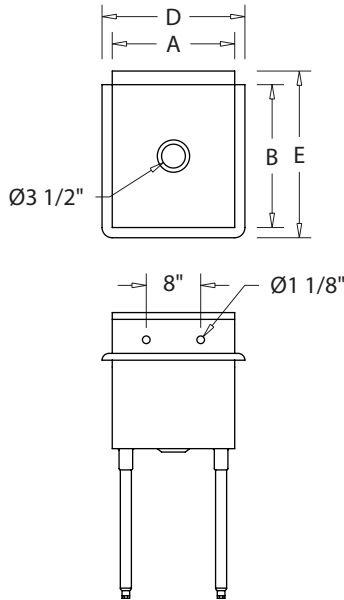
specifications

LIFETIME GUARANTEE

ITEM# T\_\_-1\_\_-00

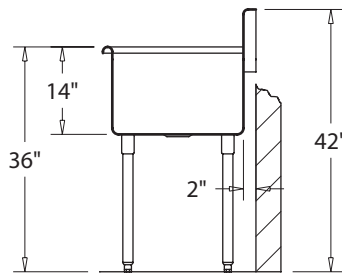
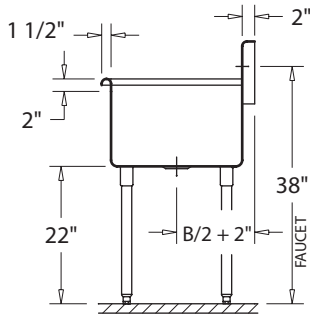
MODEL#

PROJECT



ROUGH-IN

SECTION



T60 T75 (specify)

<input checked="" type="checkbox"/>	<input checked="" type="checkbox"/>	MODEL	A X B	D	E
<input type="checkbox"/>	<input type="checkbox"/>	-188-00	18" x 18"	21"	21½"
<input type="checkbox"/>	<input type="checkbox"/>	-181-00	18" x 21"	21"	24½"
<input type="checkbox"/>	<input type="checkbox"/>	-148-00	24" x 18"	27"	21½"
<input type="checkbox"/>	<input type="checkbox"/>	-144-00	24" x 24"	27"	27½"
<input type="checkbox"/>	<input type="checkbox"/>	-138-00	30" x 18"	33"	21½"
<input type="checkbox"/>	<input type="checkbox"/>	-134-00	30" x 24"	33"	27½"
<input type="checkbox"/>	<input type="checkbox"/>	-194-00	36" x 24"	39"	27½"

## MATERIAL

- T60 Series 16 gauge, type 304 stainless
- T75 Series 14 gauge, type 304 stainless
- Sink compartment(s)
- Backsplash -Drainboard(s)<sup>1</sup>
- Type 304 stainless steel
- Basket drains -Sink legs
- Leg sockets -Bullet feet

## MECHANICAL

- Backsplash is 8" tall (relative to partition and drainboard) with a 2" wide return.
- Faucet holes are 1½" diameter on 8" centers (sinks with cumulative A dimension greater than 54" are provided two sets of faucet holes).
- Sink legs are 1½" dia. with adjustable feet.
- Drain openings are 3½", recessed.
- Basket drains are 1½" IPS.
- Supply is ½" IPS, hot and cold.

## FEATURES

- Unibody construction provides maximum durability.
- Sanitary rolled rim is 1½" wide and 2" tall.<sup>1</sup>
- Sink compartments are square corner.
- Leg sockets are welded directly to sink body providing proper load support.
- Drainboard(s) are pitched to drain into adjacent sink bowl.<sup>1</sup>
- All seams are TIG welded and ground to a smooth #4 satin finish.
- Flood level is 14".
- Compatible with DR series drainboards.
- Custom configurations are available.
- Lifetime warranty.
- Proudly made in the USA.

## ACCESSORIES

- FS-108 8" swing spout faucet
- FS-112 12" swing spout faucet
- FS-114 14" swing spout faucet
- FA-100 Wrist blade handles
- FA-200 Articulating swing arm
- FR-128 Pre-rinse spray.
- WL-200 2" IPS lever drain
- WL-201 2" IPS lever drain w/ overflow

We welcome the opportunity to help you design and configure equipment to suit your specific needs.

In keeping with our policy of continuing product improvement, we reserve the right to change product specifications without notice.

GRIFFIN PRODUCTS, INC.  
303 Blue Bird Parkway  
Wills Point, TX 75169  
(800) 379-9709 tel  
(903) 873-6389 fax

www.griffinproducts.com  
© 2006 Griffin Products, Inc.



<sup>1</sup> applicable when drainboards are present.

# T60 & T75

SERIES SERIES

# SCULLERY SINKS

1-Compartment • Lt Drainboard

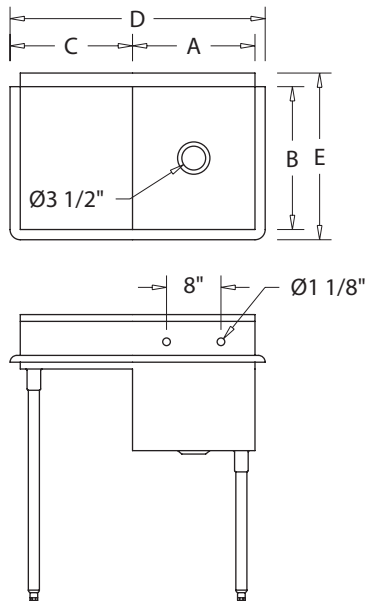
specifications

LIFETIME GUARANTEE

ITEM# T \_ \_ - 1 \_ \_ - \_ 0

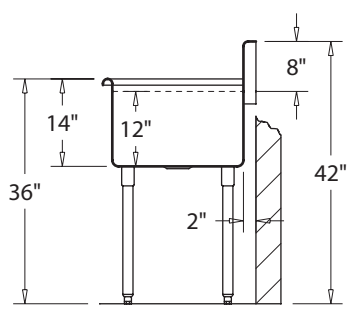
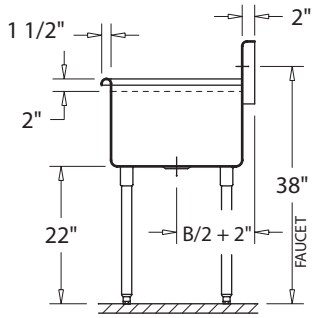
MODEL#

PROJECT



ROUGH-IN

SECTION



**T60 T75** (specify)

<input checked="" type="checkbox"/>	<input checked="" type="checkbox"/>	MODEL	A X B	C	D	E
<input type="checkbox"/>	<input type="checkbox"/>	-80		18"	37½"	
<input type="checkbox"/>	<input type="checkbox"/>	-188-40	18" x 18"	24"	43½"	21½"
<input type="checkbox"/>	<input type="checkbox"/>	-30		30"	49½"	
<input type="checkbox"/>	<input type="checkbox"/>	-80		18"	37½"	
<input type="checkbox"/>	<input type="checkbox"/>	-181-40	18" x 21"	24"	43½"	24½"
<input type="checkbox"/>	<input type="checkbox"/>	-30		30"	49½"	
<input type="checkbox"/>	<input type="checkbox"/>	-80		18"	43½"	
<input type="checkbox"/>	<input type="checkbox"/>	-148-40	24" x 18"	24"	49½"	21½"
<input type="checkbox"/>	<input type="checkbox"/>	-30		30"	55½"	
<input type="checkbox"/>	<input type="checkbox"/>	-80		18"	43½"	
<input type="checkbox"/>	<input type="checkbox"/>	-144-40	24" x 24"	24"	49½"	27½"
<input type="checkbox"/>	<input type="checkbox"/>	-30		30"	55½"	
<input type="checkbox"/>	<input type="checkbox"/>	-80		18"	49½"	
<input type="checkbox"/>	<input type="checkbox"/>	-138-40	30" x 18"	24"	55½"	21½"
<input type="checkbox"/>	<input type="checkbox"/>	-30		30"	61½"	
<input type="checkbox"/>	<input type="checkbox"/>	-80		18"	49½"	
<input type="checkbox"/>	<input type="checkbox"/>	-134-40	30" x 24"	24"	55½"	27½"
<input type="checkbox"/>	<input type="checkbox"/>	-30		30"	61½"	
<input type="checkbox"/>	<input type="checkbox"/>	-80		18"	55½"	
<input type="checkbox"/>	<input type="checkbox"/>	-194-40	36" x 24"	24"	61½"	27½"
<input type="checkbox"/>	<input type="checkbox"/>	-30		30"	67½"	

**MATERIAL**

- T60 Series 16 gauge, type 304 stainless
- T75 Series 14 gauge, type 304 stainless
  - Sink compartment(s)
  - Backsplash
  - Drainboard(s)<sup>1</sup>
- Type 304 stainless steel
  - Basket drains
  - Sink legs
  - Leg sockets
  - Bullet feet

**MECHANICAL**

- Backsplash is 8" tall (relative to partition and drainboard) with a 2" wide return.
- Faucet holes are 1½" diameter on 8" centers (sinks with cumulative A dimension greater than 54" are provided two sets of faucet holes).
- Sink legs are 1½" dia. with adjustable feet.
- Drain openings are 3½", recessed.
- Basket drains are 1½" IPS.
- Supply is ½" IPS, hot and cold.

**FEATURES**

- Unibody construction provides maximum durability.
- Sanitary rolled rim is 1½" wide and 2" tall.<sup>1</sup>
- Sink compartments are square corner.
- Leg sockets are welded directly to sink body providing proper load support.
- Drainboard(s) are pitched to drain into adjacent sink bowl.<sup>1</sup>
- All seams are TIG welded and ground to a smooth #4 satin finish.
- Flood level is 14".
- Compatible with DR series reversible drainboards.
- Custom configurations are available.
- Lifetime warranty.
- Proudly made in the USA.

**ACCESSORIES**

- FS-108 8" swing spout faucet
- FS-112 12" swing spout faucet
- FS-114 14" swing spout faucet
- FA-100 Wrist blade handles
- FA-200 Articulating swing arm
- FR-128 Pre-rinse spray.
- WL-200 2" IPS lever drain
- WL-201 2" IPS lever drain w/ overflow

We welcome the opportunity to help you design and configure equipment to suit your specific needs.

In keeping with our policy of continuing product improvement, we reserve the right to change product specifications without notice.

GRIFFIN PRODUCTS, INC.  
 303 Blue Bird Parkway  
 Wills Point, TX 75169  
 (800) 379-9709 tel  
 (903) 873-6389 fax



www.griffinproducts.com  
 © 2006 Griffin Products, Inc.

<sup>1</sup> applicable when drainboards are present.

# T60 & T75

SERIES SERIES

# SCULLERY SINKS

1-Compartment • Rt Drainboard

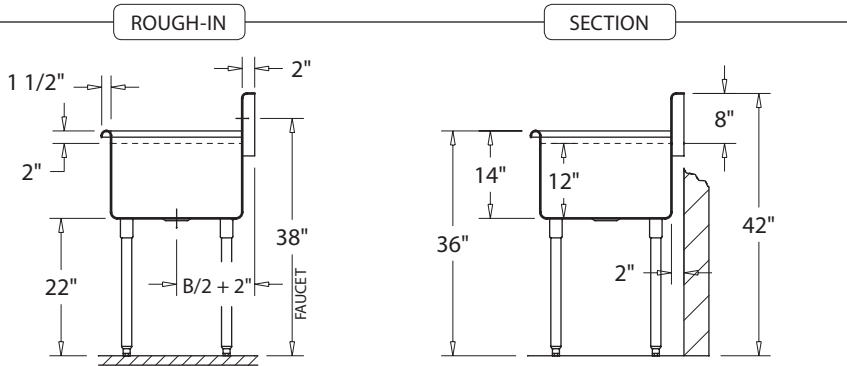
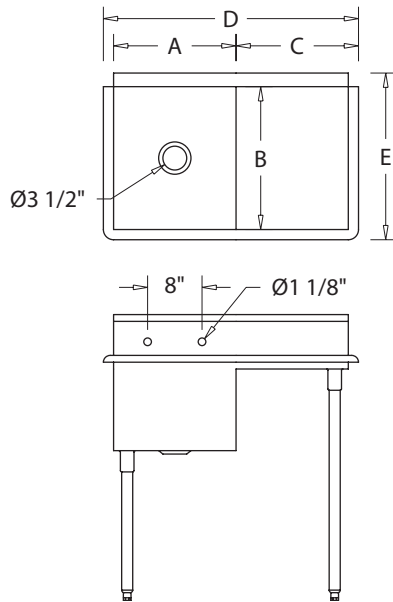
specifications

LIFETIME GUARANTEE

ITEM# T\_\_-1\_\_-0\_\_

MODEL#

PROJECT



### T60 T75 (specify)

<input checked="" type="checkbox"/>	<input checked="" type="checkbox"/>	MODEL	A X B	C	D	E
<input type="checkbox"/>	<input type="checkbox"/>	-08		18"	37½"	
<input type="checkbox"/>	<input type="checkbox"/>	-188-04	18" x 18"	24"	43½"	21½"
<input type="checkbox"/>	<input type="checkbox"/>	-03		30"	49½"	
<input type="checkbox"/>	<input type="checkbox"/>	-08		18"	37½"	
<input type="checkbox"/>	<input type="checkbox"/>	-181-04	18" x 21"	24"	43½"	24½"
<input type="checkbox"/>	<input type="checkbox"/>	-03		30"	49½"	
<input type="checkbox"/>	<input type="checkbox"/>	-08		18"	43½"	
<input type="checkbox"/>	<input type="checkbox"/>	-148-04	24" x 18"	24"	49½"	21½"
<input type="checkbox"/>	<input type="checkbox"/>	-03		30"	55½"	
<input type="checkbox"/>	<input type="checkbox"/>	-08		18"	43½"	
<input type="checkbox"/>	<input type="checkbox"/>	-144-04	24" x 24"	24"	49½"	27½"
<input type="checkbox"/>	<input type="checkbox"/>	-03		30"	55½"	
<input type="checkbox"/>	<input type="checkbox"/>	-08		18"	49½"	
<input type="checkbox"/>	<input type="checkbox"/>	-138-04	30" x 18"	24"	55½"	21½"
<input type="checkbox"/>	<input type="checkbox"/>	-03		30"	61½"	
<input type="checkbox"/>	<input type="checkbox"/>	-08		18"	49½"	
<input type="checkbox"/>	<input type="checkbox"/>	-134-04	30" x 24"	24"	55½"	27½"
<input type="checkbox"/>	<input type="checkbox"/>	-03		30"	61½"	
<input type="checkbox"/>	<input type="checkbox"/>	-08		18"	55½"	
<input type="checkbox"/>	<input type="checkbox"/>	-194-04	36" x 24"	24"	61½"	27½"
<input type="checkbox"/>	<input type="checkbox"/>	-03		30"	67½"	

### MATERIAL

- T60 Series 16 gauge, type 304 stainless
- T75 Series 14 gauge, type 304 stainless
- Sink compartment(s)
- Backsplash -Drainboard(s)<sup>1</sup>
- Type 304 stainless steel
- Basket drains -Sink legs
- Leg sockets -Bullet feet

### MECHANICAL

- Backsplash is 8" tall (relative to partition and drainboard) with a 2" wide return.
- Faucet holes are 1½" diameter on 8" centers (sinks with cumulative A dimension greater than 54" are provided two sets of faucet holes).
- Sink legs are 1½" dia. with adjustable feet.
- Drain openings are 3½", recessed.
- Basket drains are 1½" IPS.
- Supply is ½" IPS, hot and cold.

### FEATURES

- Unibody construction provides maximum durability.
- Sanitary rolled rim is 1½" wide and 2" tall.<sup>1</sup>
- Sink compartments are square corner.
- Leg sockets are welded directly to sink body providing proper load support.
- Drainboard(s) are pitched to drain into adjacent sink bowl.<sup>1</sup>
- All seams are TIG welded and ground to a smooth #4 satin finish.
- Flood level is 14".
- Compatible with DR series drainboards.
- Custom configurations are available.
- Lifetime warranty.
- Proudly made in the USA.

### ACCESSORIES

- FS-108 8" swing spout faucet
- FS-112 12" swing spout faucet
- FS-114 14" swing spout faucet
- FA-100 Wrist blade handles
- FA-200 Articulating swing arm
- FR-128 Pre-rinse spray.
- WL-200 2" IPS lever drain
- WL-201 2" IPS lever drain w/ overflow

We welcome the opportunity to help you design and configure equipment to suit your specific needs.

In keeping with our policy of continuing product improvement, we reserve the right to change product specifications without notice.

Griffin Products, Inc.  
303 Blue Bird Parkway  
Wills Point, TX 75169  
(800) 379-9709 tel  
(903) 873-6389 fax



www.griffinproducts.com  
© 2006 Griffin Products, Inc.

<sup>1</sup> applicable when drainboards are present.

# T60 & T75

SERIES SERIES

# SCULLERY SINKS

1-Compartment • L&R Drainboards

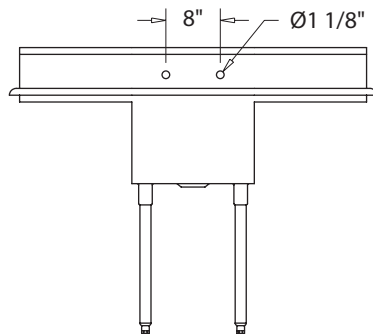
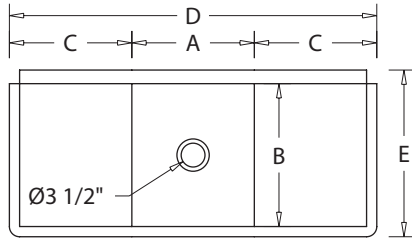
specifications

LIFETIME GUARANTEE

ITEM# T \_ \_ - 1 \_ \_ - \_ \_

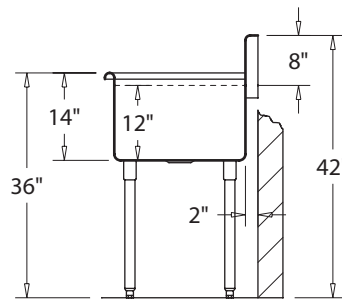
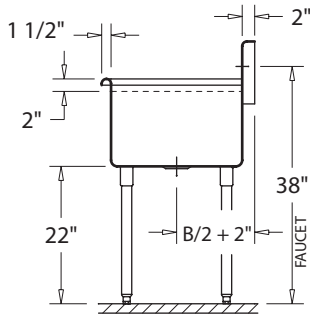
MODEL# \_\_\_\_\_

PROJECT \_\_\_\_\_



ROUGH-IN

SECTION



### T60 T75 (specify)

<input checked="" type="checkbox"/>	<input checked="" type="checkbox"/>	MODEL	A X B	C	D	E
<input type="checkbox"/>	<input type="checkbox"/>	-88		18"	54"	
<input type="checkbox"/>	<input type="checkbox"/>	-188-44	18" x 18"	24"	66"	21½"
<input type="checkbox"/>	<input type="checkbox"/>	-33		30"	78"	
<input type="checkbox"/>	<input type="checkbox"/>	-88		18"	54"	
<input type="checkbox"/>	<input type="checkbox"/>	-181-44	18" x 21"	24"	66"	24½"
<input type="checkbox"/>	<input type="checkbox"/>	-33		30"	78"	
<input type="checkbox"/>	<input type="checkbox"/>	-88		18"	60"	
<input type="checkbox"/>	<input type="checkbox"/>	-148-44	24" x 18"	24"	72"	21½"
<input type="checkbox"/>	<input type="checkbox"/>	-33		30"	84"	
<input type="checkbox"/>	<input type="checkbox"/>	-88		18"	60"	
<input type="checkbox"/>	<input type="checkbox"/>	-144-44	24" x 24"	24"	72"	27½"
<input type="checkbox"/>	<input type="checkbox"/>	-33		30"	84"	
<input type="checkbox"/>	<input type="checkbox"/>	-88		18"	66"	
<input type="checkbox"/>	<input type="checkbox"/>	-138-44	30" x 18"	24"	78"	21½"
<input type="checkbox"/>	<input type="checkbox"/>	-33		30"	90"	
<input type="checkbox"/>	<input type="checkbox"/>	-88		18"	66"	
<input type="checkbox"/>	<input type="checkbox"/>	-134-44	30" x 24"	24"	78"	27½"
<input type="checkbox"/>	<input type="checkbox"/>	-33		30"	90"	
<input type="checkbox"/>	<input type="checkbox"/>	-88		18"	72"	
<input type="checkbox"/>	<input type="checkbox"/>	-194-44	36" x 24"	24"	84"	27½"
<input type="checkbox"/>	<input type="checkbox"/>	-33		30"	96"	

### MATERIAL

- T60 Series 16 gauge, type 304 stainless
- T75 Series 14 gauge, type 304 stainless
  - Sink compartment(s)
  - Backsplash
  - Drainboard(s)<sup>1</sup>
- Type 304 stainless steel
  - Basket drains
  - Sink legs
  - Leg sockets
  - Bullet feet

### MECHANICAL

- Backsplash is 8" tall (relative to partition and drainboard) with a 2" wide return.
- Faucet holes are 1½" diameter on 8" centers (sinks with cumulative A dimension greater than 54" are provided two sets of faucet holes).
- Sink legs are 1½" dia. with adjustable feet.
- Drain openings are 3½", recessed.
- Basket drains are 1½" IPS.
- Supply is ½" IPS, hot and cold.

### FEATURES

- Unibody construction provides maximum durability.
- Sanitary rolled rim is 1½" wide and 2" tall.<sup>1</sup>
- Sink compartments are square corner.
- Leg sockets are welded directly to sink body providing proper load support.
- Drainboard(s) are pitched to drain into adjacent sink bowl.<sup>1</sup>
- All seams are TIG welded and ground to a smooth #4 satin finish.
- Flood level is 14".
- Compatible with DR series reversible drainboards.
- Custom configurations are available.
- Lifetime warranty.
- Proudly made in the USA.

### ACCESSORIES

- FS-108 8" swing spout faucet
- FS-112 12" swing spout faucet
- FS-114 14" swing spout faucet
- FA-100 Wrist blade handles
- FA-200 Articulating swing arm
- FR-128 Pre-rinse spray.
- WL-200 2" IPS lever drain
- WL-201 2" IPS lever drain w/ overflow

We welcome the opportunity to help you design and configure equipment to suit your specific needs.

In keeping with our policy of continuing product improvement, we reserve the right to change product specifications without notice.

GRIFFIN PRODUCTS, INC.  
 303 Blue Bird Parkway  
 Wills Point, TX 75169  
 (800) 379-9709 tel  
 (903) 873-6389 fax



www.griffinproducts.com  
 © 2006 Griffin Products, Inc.

<sup>1</sup> applicable when drainboards are present.



# T60 & T75

SERIES SERIES

# SCULLERY SINKS

2-Compartments • No Drainboard

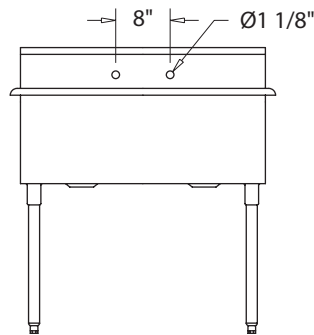
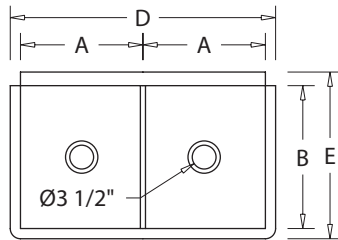
specifications

LIFETIME GUARANTEE

ITEM# T\_\_-2\_\_-00

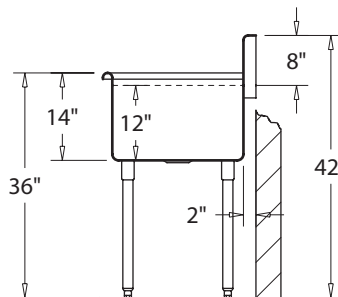
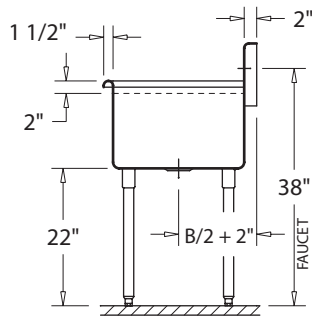
MODEL#

PROJECT



ROUGH-IN

SECTION



### T60 T75 (specify)

<input checked="" type="checkbox"/>	<input checked="" type="checkbox"/>	MODEL	A X B	D	E
<input type="checkbox"/>	<input type="checkbox"/>	-254-00	15" x 24"	33"	27½"
<input type="checkbox"/>	<input type="checkbox"/>	-288-00	18" x 18"	39"	21½"
<input type="checkbox"/>	<input type="checkbox"/>	-281-00	18" x 21"	39"	24½"
<input type="checkbox"/>	<input type="checkbox"/>	-284-00	18" x 24"	39"	27½"
<input type="checkbox"/>	<input type="checkbox"/>	-241-00	24" x 21"	51"	24½"
<input type="checkbox"/>	<input type="checkbox"/>	-244-00	24" x 24"	51"	27½"
<input type="checkbox"/>	<input type="checkbox"/>	-231-00	30" x 21"	63"	24½"
<input type="checkbox"/>	<input type="checkbox"/>	-234-00	30" x 24"	63"	27½"
<input type="checkbox"/>	<input type="checkbox"/>	-233-00	30" x 30"	63"	33½"

### MATERIAL

- T60 Series 16 gauge, type 304 stainless
- T75 Series 14 gauge, type 304 stainless
- Sink compartment(s)
- Backsplash -Drainboard(s)<sup>1</sup>
- Type 304 stainless steel
- Basket drains -Sink legs
- Leg sockets -Bullet feet

### MECHANICAL

- Backsplash is 8" tall (relative to partition and drainboard) with a 2" wide return.
- Faucet holes are 1½" diameter on 8" centers (sinks with cumulative A dimension greater than 54" are provided two sets of faucet holes).
- Sink legs are 1½" dia. with adjustable feet.
- Drain openings are 3½", recessed.
- Basket drains are 1½" IPS.
- Supply is ½" IPS, hot and cold.

### FEATURES

- Unibody construction provides maximum durability.
- Sanitary rolled rim is 1½" wide and 2" tall.<sup>1</sup>
- Sink compartments are square corner.
- Leg sockets are welded directly to sink body providing proper load support.
- Drainboard(s) are pitched to drain into adjacent sink bowl.<sup>1</sup>
- All seams are TIG welded and ground to a smooth #4 satin finish.
- Flood level is 14".
- Compatible with DR series drainboards.
- Custom configurations are available.
- Lifetime warranty.
- Proudly made in the USA.

### ACCESSORIES

- FS-108 8" swing spout faucet
- FS-112 12" swing spout faucet
- FS-114 14" swing spout faucet
- FA-100 Wrist blade handles
- FA-200 Articulating swing arm
- FR-128 Pre-rinse spray.
- WL-200 2" IPS lever drain
- WL-201 2" IPS lever drain w/ overflow

We welcome the opportunity to help you design and configure equipment to suit your specific needs.

In keeping with our policy of continuing product improvement, we reserve the right to change product specifications without notice.

Griffin Products, Inc.  
303 Blue Bird Parkway  
Wills Point, TX 75169  
(800) 379-9709 tel  
(903) 873-6389 fax

www.griffinproducts.com  
© 2006 Griffin Products, Inc.



<sup>1</sup> applicable when drainboards are present.

# T60 & T75

SERIES SERIES

# SCULLERY SINKS

2-Compartment • Lt Drainboard

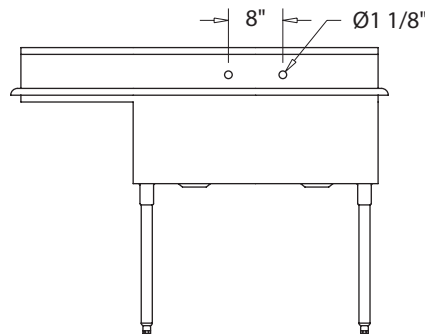
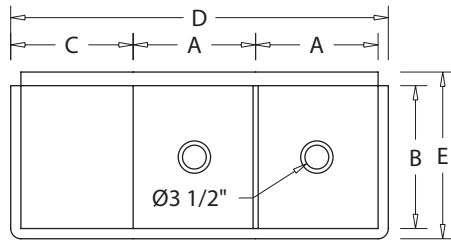
specifications

LIFETIME GUARANTEE

ITEM# T \_ \_ - 2 \_ \_ - \_ 0

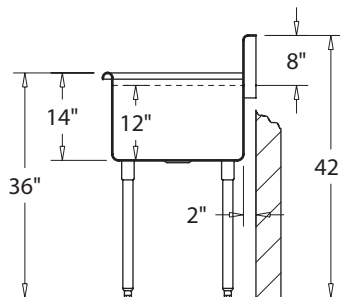
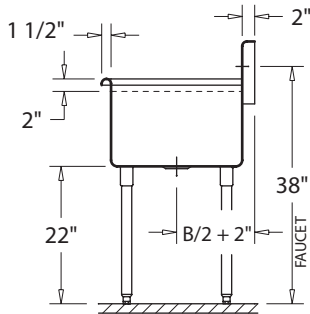
MODEL#

PROJECT



ROUGH-IN

SECTION



### T60 T75 (specify)

<input type="checkbox"/>	<input type="checkbox"/>	MODEL	A X B	C	D	E
<input type="checkbox"/>	<input type="checkbox"/>	-80		18"	49½"	
<input type="checkbox"/>	<input type="checkbox"/>	-254-40	15" x 24"	24"	55½"	27½"
<input type="checkbox"/>	<input type="checkbox"/>	-30		30"	61½"	
<input type="checkbox"/>	<input type="checkbox"/>	-80		18"	55½"	
<input type="checkbox"/>	<input type="checkbox"/>	-288-40	18" x 18"	24"	61½"	21½"
<input type="checkbox"/>	<input type="checkbox"/>	-30		30"	67½"	
<input type="checkbox"/>	<input type="checkbox"/>	-80		18"	55½"	
<input type="checkbox"/>	<input type="checkbox"/>	-281-40	18" x 21"	24"	61½"	24½"
<input type="checkbox"/>	<input type="checkbox"/>	-30		30"	67½"	
<input type="checkbox"/>	<input type="checkbox"/>	-80		18"	55½"	
<input type="checkbox"/>	<input type="checkbox"/>	-284-40	18" x 24"	24"	61½"	27½"
<input type="checkbox"/>	<input type="checkbox"/>	-30		30"	67½"	
<input type="checkbox"/>	<input type="checkbox"/>	-80		18"	67½"	
<input type="checkbox"/>	<input type="checkbox"/>	-241-40	24" x 21"	24"	73½"	24½"
<input type="checkbox"/>	<input type="checkbox"/>	-30		30"	79½"	
<input type="checkbox"/>	<input type="checkbox"/>	-80		18"	67½"	
<input type="checkbox"/>	<input type="checkbox"/>	-244-40	24" x 24"	24"	73½"	27½"
<input type="checkbox"/>	<input type="checkbox"/>	-30		30"	79½"	
<input type="checkbox"/>	<input type="checkbox"/>	-80		18"	79½"	
<input type="checkbox"/>	<input type="checkbox"/>	-231-40	30" x 21"	24"	85½"	24½"
<input type="checkbox"/>	<input type="checkbox"/>	-30		30"	91½"	
<input type="checkbox"/>	<input type="checkbox"/>	-80		18"	79½"	
<input type="checkbox"/>	<input type="checkbox"/>	-234-40	30" x 24"	24"	85½"	27½"
<input type="checkbox"/>	<input type="checkbox"/>	-30		30"	91½"	
<input type="checkbox"/>	<input type="checkbox"/>	-80		18"	79½"	
<input type="checkbox"/>	<input type="checkbox"/>	-233-40	30" x 30"	24"	85½"	33½"
<input type="checkbox"/>	<input type="checkbox"/>	-30		30"	91½"	

### MATERIAL

- T60 Series 16 gauge, type 304 stainless
- T75 Series 14 gauge, type 304 stainless
  - Sink compartment(s)
  - Backsplash
  - Drainboard(s)<sup>1</sup>
- Type 304 stainless steel
  - Basket drains
  - Sink legs
  - Leg sockets
  - Bullet feet

### MECHANICAL

- Backsplash is 8" tall (relative to partition and drainboard) with a 2" wide return.
- Faucet holes are 1½" diameter on 8" centers (sinks with cumulative A dimension greater than 54" are provided two sets of faucet holes).
- Sink legs are 1½" dia. with adjustable feet.
- Drain openings are 3½", recessed.
- Basket drains are 1½" IPS.
- Supply is ½" IPS, hot and cold.

### FEATURES

- Unibody construction provides maximum durability.
- Sanitary rolled rim is 1½" wide and 2" tall.<sup>1</sup>
- Sink compartments are square corner.
- Leg sockets are welded directly to sink body providing proper load support.
- Drainboard(s) are pitched to drain into adjacent sink bowl.<sup>1</sup>
- All seams are TIG welded and ground to a smooth #4 satin finish.
- Flood level is 14".
- Compatible with DR series reversible drainboards.
- Custom configurations are available.
- Lifetime warranty.
- Proudly made in the USA.

### ACCESSORIES

- FS-108 8" swing spout faucet
- FS-112 12" swing spout faucet
- FS-114 14" swing spout faucet
- FA-100 Wrist blade handles
- FA-200 Articulating swing arm
- FR-128 Pre-rinse spray.
- WL-200 2" IPS lever drain
- WL-201 2" IPS lever drain w/ overflow

We welcome the opportunity to help you design and configure equipment to suit your specific needs.

In keeping with our policy of continuing product improvement, we reserve the right to change product specifications without notice.

GRIFFIN PRODUCTS, INC.  
303 Blue Bird Parkway  
Wills Point, TX 75169  
(800) 379-9709 tel  
(903) 873-6389 fax



www.griffinproducts.com  
© 2006 Griffin Products, Inc.

**GRIFFIN**  
PRODUCTS, INC.

<sup>1</sup> applicable when drainboards are present.

# T60 & T75

SERIES SERIES

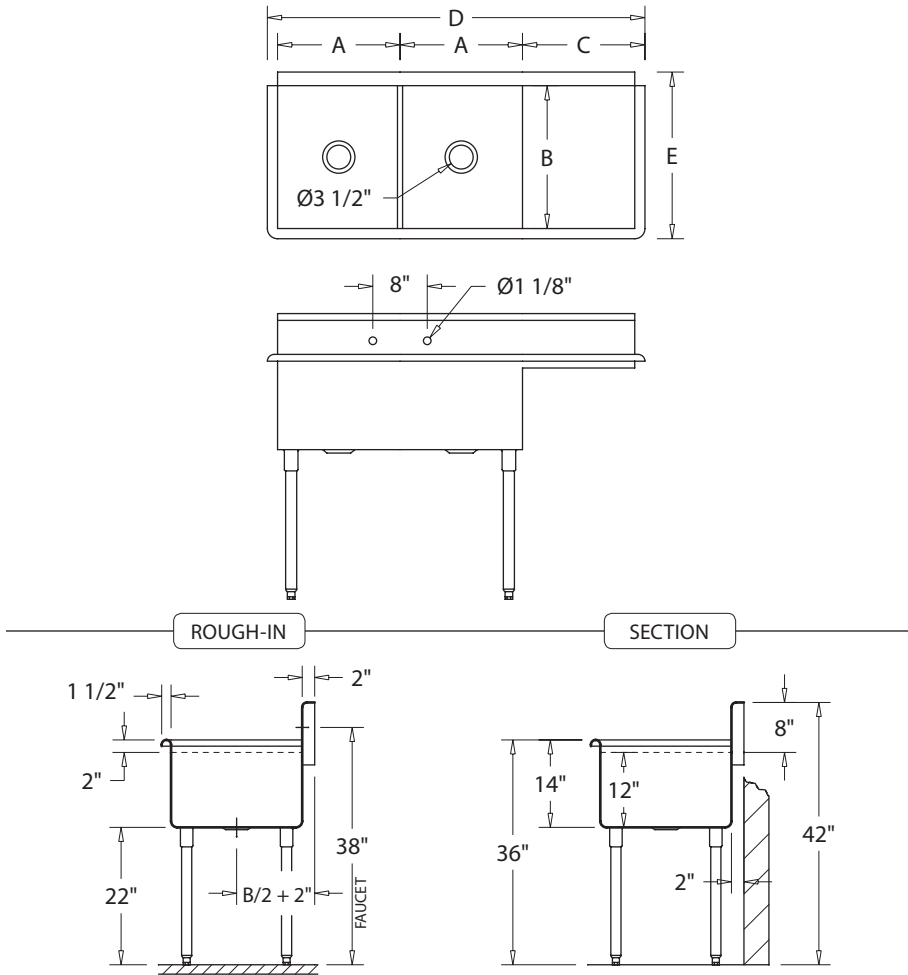
# SCULLERY SINKS

2-Compartments • Rt Drainboard

specifications

LIFETIME GUARANTEE

ITEM# T\_\_-2\_\_-0\_\_  
MODEL#  
PROJECT



### T60 T75 (specify)

<input checked="" type="checkbox"/>	<input checked="" type="checkbox"/>	MODEL	A X B	C	D	E
<input type="checkbox"/>	<input type="checkbox"/>	-08		18"	49½"	
<input type="checkbox"/>	<input type="checkbox"/>	-254-04	15" x 24"	24"	55½"	27½"
<input type="checkbox"/>	<input type="checkbox"/>	-03		30"	61½"	
<input type="checkbox"/>	<input type="checkbox"/>	-08		18"	55½"	
<input type="checkbox"/>	<input type="checkbox"/>	-288-04	18" x 18"	24"	61½"	21½"
<input type="checkbox"/>	<input type="checkbox"/>	-03		30"	67½"	
<input type="checkbox"/>	<input type="checkbox"/>	-08		18"	55½"	
<input type="checkbox"/>	<input type="checkbox"/>	-281-04	18" x 21"	24"	61½"	24½"
<input type="checkbox"/>	<input type="checkbox"/>	-03		30"	67½"	
<input type="checkbox"/>	<input type="checkbox"/>	-08		18"	55½"	
<input type="checkbox"/>	<input type="checkbox"/>	-284-04	18" x 24"	24"	61½"	27½"
<input type="checkbox"/>	<input type="checkbox"/>	-03		30"	67½"	
<input type="checkbox"/>	<input type="checkbox"/>	-08		18"	67½"	
<input type="checkbox"/>	<input type="checkbox"/>	-241-04	24" x 21"	24"	73½"	24½"
<input type="checkbox"/>	<input type="checkbox"/>	-03		30"	79½"	
<input type="checkbox"/>	<input type="checkbox"/>	-08		18"	67½"	
<input type="checkbox"/>	<input type="checkbox"/>	-244-04	24" x 24"	24"	73½"	27½"
<input type="checkbox"/>	<input type="checkbox"/>	-03		30"	79½"	
<input type="checkbox"/>	<input type="checkbox"/>	-08		18"	79½"	
<input type="checkbox"/>	<input type="checkbox"/>	-231-04	30" x 21"	24"	85½"	24½"
<input type="checkbox"/>	<input type="checkbox"/>	-03		30"	91½"	
<input type="checkbox"/>	<input type="checkbox"/>	-08		18"	79½"	
<input type="checkbox"/>	<input type="checkbox"/>	-234-04	30" x 24"	24"	85½"	27½"
<input type="checkbox"/>	<input type="checkbox"/>	-03		30"	91½"	
<input type="checkbox"/>	<input type="checkbox"/>	-08		18"	79½"	
<input type="checkbox"/>	<input type="checkbox"/>	-233-04	30" x 30"	24"	85½"	33½"
<input type="checkbox"/>	<input type="checkbox"/>	-03		30"	91½"	

### MATERIAL

- T60 Series 16 gauge, type 304 stainless
- T75 Series 14 gauge, type 304 stainless
  - Sink compartment(s)
  - Backsplash
  - Drainboard(s)<sup>1</sup>
- Type 304 stainless steel
  - Basket drains
  - Sink legs
  - Leg sockets
  - Bullet feet

### MECHANICAL

- Backsplash is 8" tall (relative to partition and drainboard) with a 2" wide return.
- Faucet holes are 1½" diameter on 8" centers (sinks with cumulative A dimension greater than 54" are provided two sets of faucet holes).
- Sink legs are 1½" dia. with adjustable feet.
- Drain openings are 3½", recessed.
- Basket drains are 1½" IPS.
- Supply is ½" IPS, hot and cold.

### FEATURES

- Unibody construction provides maximum durability.
- Sanitary rolled rim is 1½" wide and 2" tall.<sup>1</sup>
- Sink compartments are square corner.
- Leg sockets are welded directly to sink body providing proper load support.
- Drainboard(s) are pitched to drain into adjacent sink bowl.<sup>1</sup>
- All seams are TIG welded and ground to a smooth #4 satin finish.
- Flood level is 14".
- Compatible with DR series drainboards.
- Custom configurations are available.
- Lifetime warranty.
- Proudly made in the USA.

### ACCESSORIES

- FS-108 8" swing spout faucet
- FS-112 12" swing spout faucet
- FS-114 14" swing spout faucet
- FA-100 Wrist blade handles
- FA-200 Articulating swing arm
- FR-128 Pre-rinse spray.
- WL-200 2" IPS lever drain
- WL-201 2" IPS lever drain w/ overflow

We welcome the opportunity to help you design and configure equipment to suit your specific needs.

In keeping with our policy of continuing product improvement, we reserve the right to change product specifications without notice.

Griffin Products, Inc.  
303 Blue Bird Parkway  
Wills Point, TX 75169  
(800) 379-9709 tel  
(903) 873-6389 fax

www.griffinproducts.com  
© 2006 Griffin Products, Inc.



<sup>1</sup> applicable when drainboards are present.

# T60 & T75

SERIES SERIES

# SCULLERY SINKS

2-Compartments • L&R Drainboards

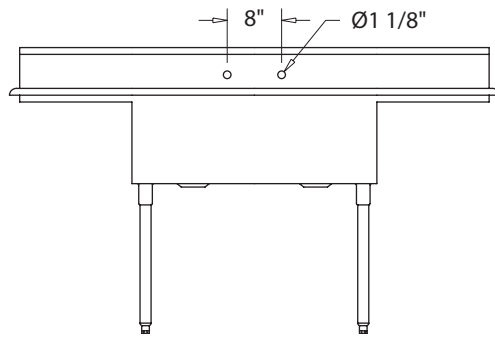
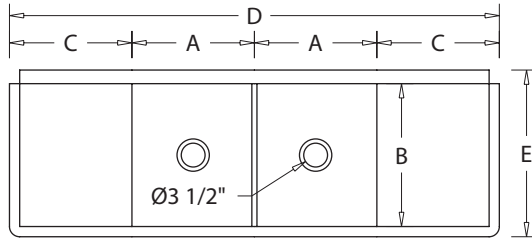
specifications

LIFETIME GUARANTEE

ITEM#     T    -    2    -    -    -    

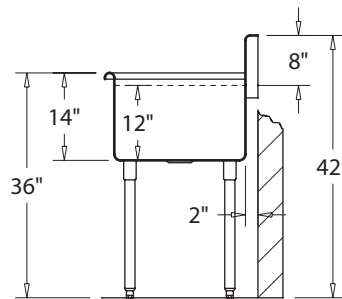
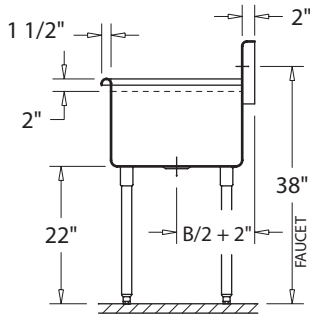
MODEL# \_\_\_\_\_

PROJECT \_\_\_\_\_



ROUGH-IN

SECTION



### T60 T75 (specify)

<input type="checkbox"/>	<input type="checkbox"/>	MODEL	A X B	C	D	E
<input type="checkbox"/>	<input type="checkbox"/>	-88		18"	66"	
<input type="checkbox"/>	<input type="checkbox"/>	-254-44	15" x 24"	24"	78"	27½"
<input type="checkbox"/>	<input type="checkbox"/>	-33		30"	90"	
<input type="checkbox"/>	<input type="checkbox"/>	-88		18"	72"	
<input type="checkbox"/>	<input type="checkbox"/>	-288-44	18" x 18"	24"	84"	21½"
<input type="checkbox"/>	<input type="checkbox"/>	-33		30"	96"	
<input type="checkbox"/>	<input type="checkbox"/>	-88		18"	72"	
<input type="checkbox"/>	<input type="checkbox"/>	-281-44	18" x 21"	24"	84"	24½"
<input type="checkbox"/>	<input type="checkbox"/>	-33		30"	96"	
<input type="checkbox"/>	<input type="checkbox"/>	-88		18"	72"	
<input type="checkbox"/>	<input type="checkbox"/>	-284-44	18" x 24"	24"	84"	27½"
<input type="checkbox"/>	<input type="checkbox"/>	-33		30"	96"	
<input type="checkbox"/>	<input type="checkbox"/>	-88		18"	84"	
<input type="checkbox"/>	<input type="checkbox"/>	-241-44	24" x 21"	24"	96"	24½"
<input type="checkbox"/>	<input type="checkbox"/>	-33		30"	108"	
<input type="checkbox"/>	<input type="checkbox"/>	-88		18"	84"	
<input type="checkbox"/>	<input type="checkbox"/>	-244-44	24" x 24"	24"	96"	27½"
<input type="checkbox"/>	<input type="checkbox"/>	-33		30"	108"	
<input type="checkbox"/>	<input type="checkbox"/>	-88		18"	96"	
<input type="checkbox"/>	<input type="checkbox"/>	-231-44	30" x 21"	24"	108"	24½"
<input type="checkbox"/>	<input type="checkbox"/>	-33		30"	120"	
<input type="checkbox"/>	<input type="checkbox"/>	-88		18"	96"	
<input type="checkbox"/>	<input type="checkbox"/>	-234-44	30" x 24"	24"	108"	27½"
<input type="checkbox"/>	<input type="checkbox"/>	-33		30"	120"	
<input type="checkbox"/>	<input type="checkbox"/>	-88		18"	96"	
<input type="checkbox"/>	<input type="checkbox"/>	-233-44	30" x 30"	24"	108"	33½"
<input type="checkbox"/>	<input type="checkbox"/>	-33		30"	120"	

### MATERIAL

- T60 Series 16 gauge, type 304 stainless
- T75 Series 14 gauge, type 304 stainless
  - Sink compartment(s)
  - Backsplash
  - Drainboard(s)<sup>1</sup>
- Type 304 stainless steel
  - Basket drains
  - Sink legs
  - Leg sockets
  - Bullet feet

### MECHANICAL

- Backsplash is 8" tall (relative to partition and drainboard) with a 2" wide return.
- Faucet holes are 1½" diameter on 8" centers (sinks with cumulative A dimension greater than 54" are provided two sets of faucet holes).
- Sink legs are 1½" dia. with adjustable feet.
- Drain openings are 3½", recessed.
- Basket drains are 1½" IPS.
- Supply is ½" IPS, hot and cold.

### FEATURES

- Unibody construction provides maximum durability.
- Sanitary rolled rim is 1½" wide and 2" tall.<sup>1</sup>
- Sink compartments are square corner.
- Leg sockets are welded directly to sink body providing proper load support.
- Drainboard(s) are pitched to drain into adjacent sink bowl.<sup>1</sup>
- All seams are TIG welded and ground to a smooth #4 satin finish.
- Flood level is 14".
- Compatible with DR series reversible drainboards.
- Custom configurations are available.
- Lifetime warranty.
- Proudly made in the USA.

### ACCESSORIES

- FS-108 8" swing spout faucet
- FS-112 12" swing spout faucet
- FS-114 14" swing spout faucet
- FA-100 Wrist blade handles
- FA-200 Articulating swing arm
- FR-128 Pre-rinse spray.
- WL-200 2" IPS lever drain
- WL-201 2" IPS lever drain w/ overflow

We welcome the opportunity to help you design and configure equipment to suit your specific needs.

In keeping with our policy of continuing product improvement, we reserve the right to change product specifications without notice.

GRIFFIN PRODUCTS, INC.  
 303 Blue Bird Parkway  
 Wills Point, TX 75169  
 (800) 379-9709 tel  
 (903) 873-6389 fax



www.griffinproducts.com  
 © 2006 Griffin Products, Inc.

<sup>1</sup> applicable when drainboards are present.

# T60 & T75

SERIES SERIES

# SCULLERY SINKS

3-Compartments • No Drainboard

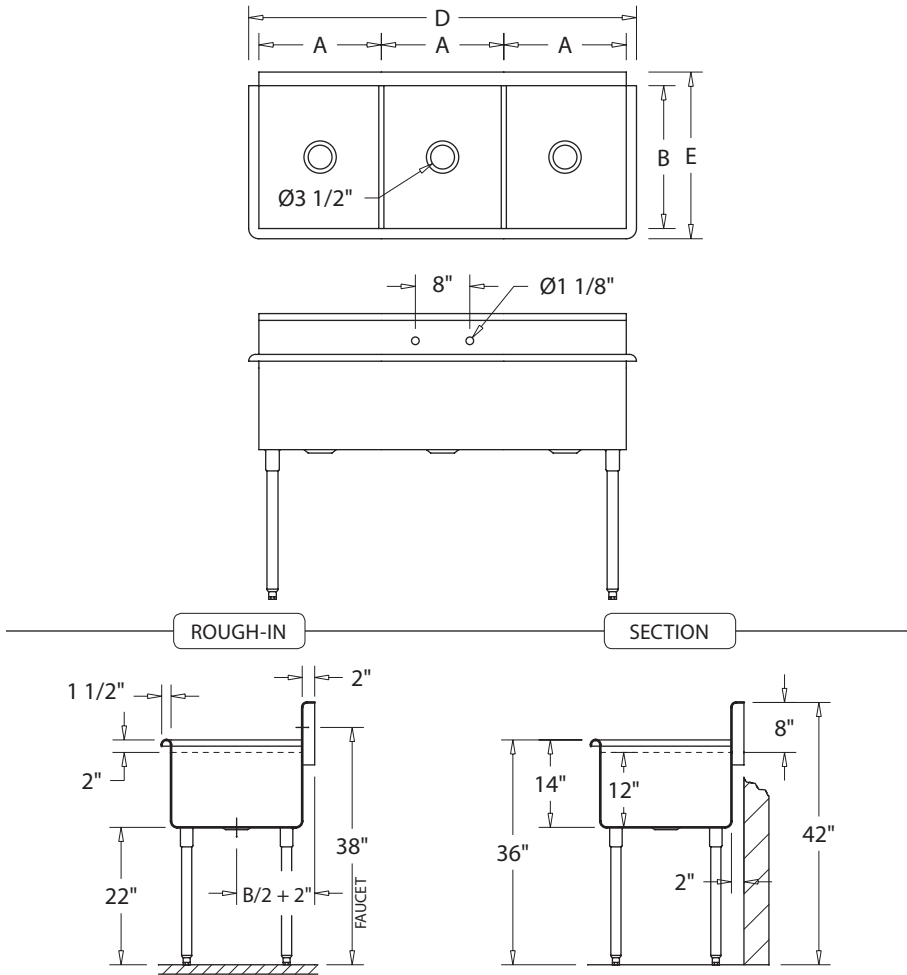
specifications

LIFETIME GUARANTEE

ITEM# T\_\_-3\_\_-00

MODEL#

PROJECT



### T60 T75 (specify)

<input checked="" type="checkbox"/>	<input checked="" type="checkbox"/>	MODEL	A X B	D	E
<input type="checkbox"/>	<input type="checkbox"/>	-378-00	12" x 18"	39"	21½"
<input type="checkbox"/>	<input type="checkbox"/>	-371-00	12" x 21"	39"	24½"
<input type="checkbox"/>	<input type="checkbox"/>	-354-00	15" x 24"	48"	27½"
<input type="checkbox"/>	<input type="checkbox"/>	-368-00	16" x 18"	51"	21½"
<input type="checkbox"/>	<input type="checkbox"/>	-361-00	16" x 21"	51"	24½"
<input type="checkbox"/>	<input type="checkbox"/>	-388-00	18" x 18"	57"	21½"
<input type="checkbox"/>	<input type="checkbox"/>	-381-00	18" x 21"	57"	24½"
<input type="checkbox"/>	<input type="checkbox"/>	-384-00	18" x 24"	57"	27½"
<input type="checkbox"/>	<input type="checkbox"/>	-321-00	20" x 21"	63"	24½"
<input type="checkbox"/>	<input type="checkbox"/>	-324-00	20" x 24"	63"	27½"
<input type="checkbox"/>	<input type="checkbox"/>	-323-00	20" x 30"	63"	33½"
<input type="checkbox"/>	<input type="checkbox"/>	-341-00	24" x 21"	75"	24½"
<input type="checkbox"/>	<input type="checkbox"/>	-344-00	24" x 24"	75"	27½"
<input type="checkbox"/>	<input type="checkbox"/>	-343-00	24" x 30"	75"	33½"
<input type="checkbox"/>	<input type="checkbox"/>	-334-00	30" x 24"	93"	27½"
<input type="checkbox"/>	<input type="checkbox"/>	-333-00	30" x 30"	93"	33½"

### MATERIAL

- T60 Series 16 gauge, type 304 stainless
- T75 Series 14 gauge, type 304 stainless
  - Sink compartment(s)
  - Backsplash
  - Drainboard(s)<sup>1</sup>
- Type 304 stainless steel
  - Basket drains
  - Sink legs
  - Leg sockets
  - Bullet feet

### MECHANICAL

- Backsplash is 8" tall (relative to partition and drainboard) with a 2" wide return.
- Faucet holes are 1½" diameter on 8" centers (sinks with cumulative A dimension greater than 54" are provided two sets of faucet holes).
- Sink legs are 1½" dia. with adjustable feet.
- Drain openings are 3½", recessed.
- Basket drains are 1½" IPS.
- Supply is ½" IPS, hot and cold.

### FEATURES

- Unibody construction provides maximum durability.
- Sanitary rolled rim is 1½" wide and 2" tall.<sup>1</sup>
- Sink compartments are square corner.
- Leg sockets are welded directly to sink body providing proper load support.
- Drainboard(s) are pitched to drain into adjacent sink bowl.<sup>1</sup>
- All seams are TIG welded and ground to a smooth #4 satin finish.
- Flood level is 14".
- Compatible with DR series drainboards.
- Custom configurations are available.
- Lifetime warranty.
- Proudly made in the USA.

### ACCESSORIES

- FS-108 8" swing spout faucet
- FS-112 12" swing spout faucet
- FS-114 14" swing spout faucet
- FA-100 Wrist blade handles
- FA-200 Articulating swing arm
- FR-128 Pre-rinse spray.
- WL-200 2" IPS lever drain
- WL-201 2" IPS lever drain w/ overflow

We welcome the opportunity to help you design and configure equipment to suit your specific needs.

In keeping with our policy of continuing product improvement, we reserve the right to change product specifications without notice.

GRIFFIN PRODUCTS, INC.  
303 Blue Bird Parkway  
Wills Point, TX 75169  
(800) 379-9709 tel  
(903) 873-6389 fax

www.griffinproducts.com  
© 2006 Griffin Products, Inc.



<sup>1</sup> applicable when drainboards are present.

# T60 & T75

SERIES SERIES

# SCULLERY SINKS

3-Compartments • Lt Drainboard

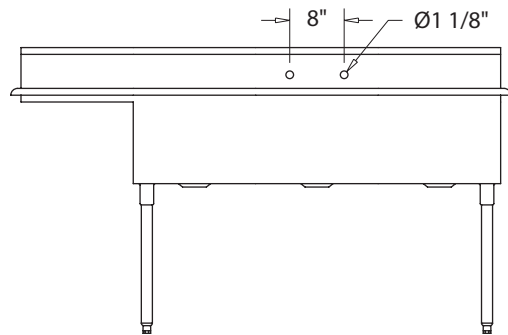
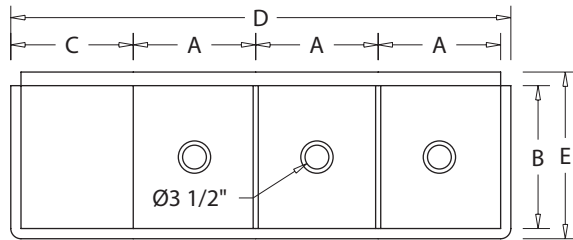
specifications

LIFETIME GUARANTEE

ITEM# T \_ \_ - 3 \_ \_ - \_ 0

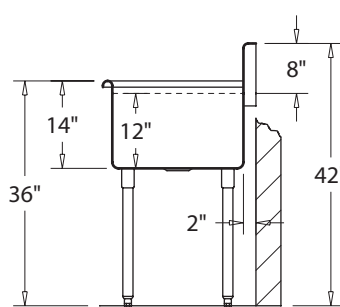
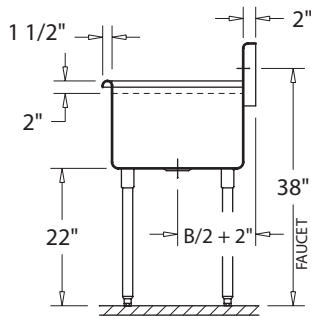
MODEL#

PROJECT



ROUGH-IN

SECTION



### T60 T75 (specify)

<input checked="" type="checkbox"/>	<input checked="" type="checkbox"/>	MODEL	A X B	C	D	E
<input type="checkbox"/>	<input type="checkbox"/>	-80		18"	55½"	
<input type="checkbox"/>	<input type="checkbox"/>	-378-40	12" x 18"	24"	61½"	21½"
<input type="checkbox"/>	<input type="checkbox"/>	-30		30"	67½"	
<input type="checkbox"/>	<input type="checkbox"/>	-80		18"	64½"	
<input type="checkbox"/>	<input type="checkbox"/>	-354-40	15" x 24"	24"	70½"	27½"
<input type="checkbox"/>	<input type="checkbox"/>	-30		30"	76½"	
<input type="checkbox"/>	<input type="checkbox"/>	-80		18"	67½"	
<input type="checkbox"/>	<input type="checkbox"/>	-368-40	16" x 18"	24"	73½"	21½"
<input type="checkbox"/>	<input type="checkbox"/>	-30		30"	79½"	
<input type="checkbox"/>	<input type="checkbox"/>	-80		18"	67½"	
<input type="checkbox"/>	<input type="checkbox"/>	-361-40	16" x 21"	24"	73½"	24½"
<input type="checkbox"/>	<input type="checkbox"/>	-30		30"	79½"	
<input type="checkbox"/>	<input type="checkbox"/>	-80		18"	73½"	
<input type="checkbox"/>	<input type="checkbox"/>	-388-40	18" x 18"	24"	79½"	21½"
<input type="checkbox"/>	<input type="checkbox"/>	-30		30"	85½"	
<input type="checkbox"/>	<input type="checkbox"/>	-80		18"	73½"	
<input type="checkbox"/>	<input type="checkbox"/>	-381-40	18" x 21"	24"	79½"	24½"
<input type="checkbox"/>	<input type="checkbox"/>	-30		30"	85½"	
<input type="checkbox"/>	<input type="checkbox"/>	-80		18"	73½"	
<input type="checkbox"/>	<input type="checkbox"/>	-384-40	18" x 24"	24"	79½"	27½"
<input type="checkbox"/>	<input type="checkbox"/>	-30		30"	85½"	
<input type="checkbox"/>	<input type="checkbox"/>	-80		18"	79½"	
<input type="checkbox"/>	<input type="checkbox"/>	-321-40	20" x 21"	24"	85½"	24½"
<input type="checkbox"/>	<input type="checkbox"/>	-30		30"	91½"	
<input type="checkbox"/>	<input type="checkbox"/>	-80		18"	79½"	
<input type="checkbox"/>	<input type="checkbox"/>	-324-40	20" x 24"	24"	85½"	27½"
<input type="checkbox"/>	<input type="checkbox"/>	-30		30"	91½"	
<input type="checkbox"/>	<input type="checkbox"/>	-80		18"	79½"	
<input type="checkbox"/>	<input type="checkbox"/>	-323-40	20" x 30"	24"	85½"	33½"
<input type="checkbox"/>	<input type="checkbox"/>	-30		30"	91½"	
<input type="checkbox"/>	<input type="checkbox"/>	-80		18"	91½"	
<input type="checkbox"/>	<input type="checkbox"/>	-344-40	24" x 24"	24"	97½"	27½"
<input type="checkbox"/>	<input type="checkbox"/>	-30		30"	103½"	
<input type="checkbox"/>	<input type="checkbox"/>	-80		18"	91½"	
<input type="checkbox"/>	<input type="checkbox"/>	-343-40	24" x 30"	24"	97½"	33½"
<input type="checkbox"/>	<input type="checkbox"/>	-30		30"	103½"	

### MATERIAL

- T60 Series 16 gauge, type 304 stainless
- T75 Series 14 gauge, type 304 stainless
  - Sink compartment(s)
  - Backsplash
  - Drainboard(s)<sup>1</sup>
- Type 304 stainless steel
  - Basket drains
  - Sink legs
  - Leg sockets
  - Bullet feet

### MECHANICAL

- Backsplash is 8" tall (relative to partition and drainboard) with a 2" wide return.
- Faucet holes are 1½" diameter on 8" centers (sinks with cumulative A dimension greater than 54" are provided two sets of faucet holes).
- Sink legs are 1½" dia. with adjustable feet.
- Drain openings are 3½", recessed.
- Basket drains are 1½" IPS.
- Supply is ½" IPS, hot and cold.

### FEATURES

- Unibody construction provides maximum durability.
- Sanitary rolled rim is 1½" wide and 2" tall.<sup>1</sup>
- Sink compartments are square corner.
- Leg sockets are welded directly to sink body providing proper load support.
- Drainboard(s) are pitched to drain into adjacent sink bowl.<sup>1</sup>
- All seams are TIG welded and ground to a smooth #4 satin finish.
- Flood level is 14".
- Compatible with DR series reversible drainboards.
- Custom configurations are available.
- Lifetime warranty.
- Proudly made in the USA.

### ACCESSORIES

- FS-108 8" swing spout faucet
- FS-112 12" swing spout faucet
- FS-114 14" swing spout faucet
- FA-100 Wrist blade handles
- FA-200 Articulating swing arm
- FR-128 Pre-rinse spray.
- WL-200 2" IPS lever drain
- WL-201 2" IPS lever drain w/ overflow

We welcome the opportunity to help you design and configure equipment to suit your specific needs.

In keeping with our policy of continuing product improvement, we reserve the right to change product specifications without notice.

GRIFFIN PRODUCTS, INC.  
303 Blue Bird Parkway  
Wills Point, TX 75169  
(800) 379-9709 tel  
(903) 873-6389 fax



www.griffinproducts.com  
© 2006 Griffin Products, Inc.

**GRIFFIN**  
PRODUCTS, INC.

<sup>1</sup> applicable when drainboards are present.

# T60 & T75

SERIES SERIES

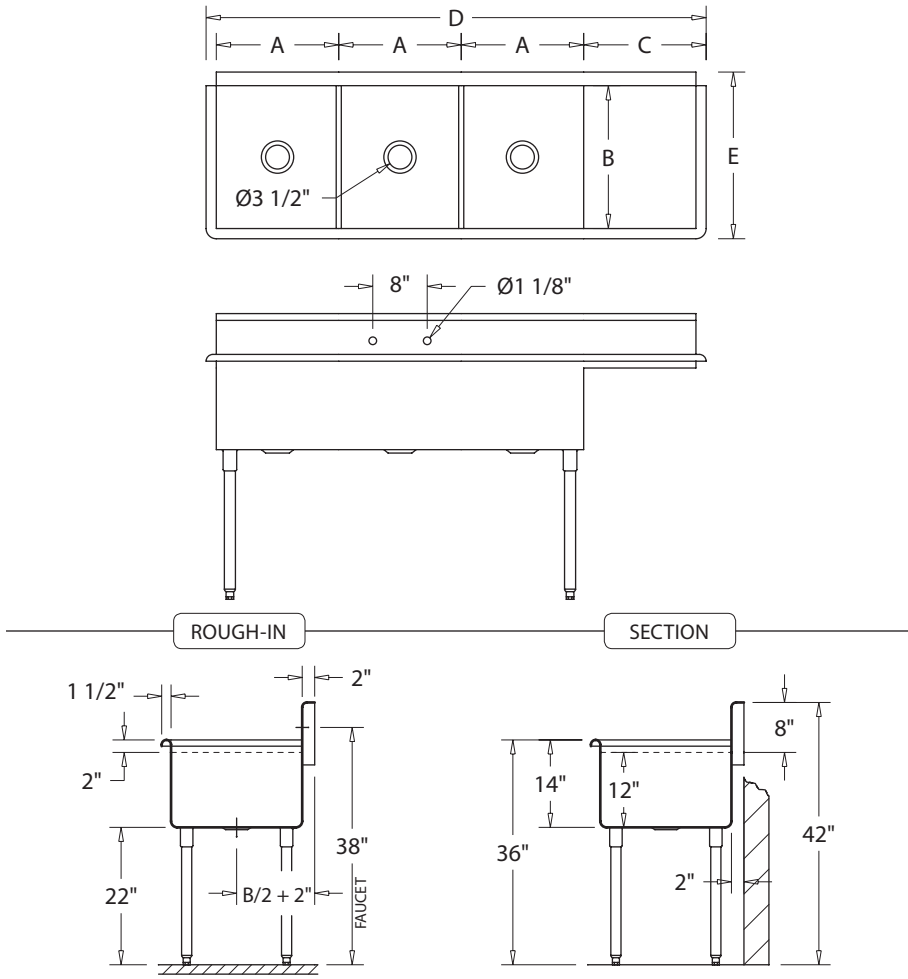
# SCULLERY SINKS

3-Compartments • Rt Drainboard

specifications

LIFETIME GUARANTEE

ITEM#   T  -  3  -  0    
 MODEL# \_\_\_\_\_  
 PROJECT \_\_\_\_\_



**T60 T75** (specify)

<input type="checkbox"/>	<input type="checkbox"/>	MODEL	A X B	C	D	E
<input type="checkbox"/>	<input type="checkbox"/>	-08		18"	55½"	
<input type="checkbox"/>	<input type="checkbox"/>	-378-04	12" x 18"	24"	61½"	21½"
<input type="checkbox"/>	<input type="checkbox"/>	-03		30"	67½"	
<input type="checkbox"/>	<input type="checkbox"/>	-08		18"	64½"	
<input type="checkbox"/>	<input type="checkbox"/>	-354-04	15" x 24"	24"	70½"	27½"
<input type="checkbox"/>	<input type="checkbox"/>	-03		30"	76½"	
<input type="checkbox"/>	<input type="checkbox"/>	-08		18"	67½"	
<input type="checkbox"/>	<input type="checkbox"/>	-368-04	16" x 18"	24"	73½"	21½"
<input type="checkbox"/>	<input type="checkbox"/>	-03		30"	79½"	
<input type="checkbox"/>	<input type="checkbox"/>	-08		18"	67½"	
<input type="checkbox"/>	<input type="checkbox"/>	-361-04	16" x 21"	24"	73½"	24½"
<input type="checkbox"/>	<input type="checkbox"/>	-03		30"	79½"	
<input type="checkbox"/>	<input type="checkbox"/>	-08		18"	73½"	
<input type="checkbox"/>	<input type="checkbox"/>	-388-04	18" x 18"	24"	79½"	21½"
<input type="checkbox"/>	<input type="checkbox"/>	-03		30"	85½"	
<input type="checkbox"/>	<input type="checkbox"/>	-08		18"	73½"	
<input type="checkbox"/>	<input type="checkbox"/>	-381-04	18" x 21"	24"	79½"	24½"
<input type="checkbox"/>	<input type="checkbox"/>	-03		30"	85½"	
<input type="checkbox"/>	<input type="checkbox"/>	-08		18"	73½"	
<input type="checkbox"/>	<input type="checkbox"/>	-384-04	18" x 24"	24"	79½"	27½"
<input type="checkbox"/>	<input type="checkbox"/>	-03		30"	85½"	
<input type="checkbox"/>	<input type="checkbox"/>	-08		18"	79½"	
<input type="checkbox"/>	<input type="checkbox"/>	-321-04	20" x 21"	24"	85½"	24½"
<input type="checkbox"/>	<input type="checkbox"/>	-03		30"	91½"	
<input type="checkbox"/>	<input type="checkbox"/>	-08		18"	79½"	
<input type="checkbox"/>	<input type="checkbox"/>	-324-04	20" x 24"	24"	85½"	27½"
<input type="checkbox"/>	<input type="checkbox"/>	-03		30"	91½"	
<input type="checkbox"/>	<input type="checkbox"/>	-08		18"	79½"	
<input type="checkbox"/>	<input type="checkbox"/>	-323-04	20" x 30"	24"	85½"	33½"
<input type="checkbox"/>	<input type="checkbox"/>	-03		30"	91½"	
<input type="checkbox"/>	<input type="checkbox"/>	-08		18"	91½"	
<input type="checkbox"/>	<input type="checkbox"/>	-344-04	24" x 24"	24"	97½"	27½"
<input type="checkbox"/>	<input type="checkbox"/>	-03		30"	103½"	
<input type="checkbox"/>	<input type="checkbox"/>	-08		18"	91½"	
<input type="checkbox"/>	<input type="checkbox"/>	-343-04	24" x 30"	24"	97½"	33½"
<input type="checkbox"/>	<input type="checkbox"/>	-03		30"	103½"	

**MATERIAL**

- T60 Series 16 gauge, type 304 stainless
- T75 Series 14 gauge, type 304 stainless
  - Sink compartment(s)
  - Backsplash
  - Drainboard(s)<sup>1</sup>
- Type 304 stainless steel
  - Basket drains
  - Sink legs
  - Leg sockets
  - Bullet feet

**MECHANICAL**

- Backsplash is 8" tall (relative to partition and drainboard) with a 2" wide return.
- Faucet holes are 1½" diameter on 8" centers (sinks with cumulative A dimension greater than 54" are provided two sets of faucet holes).
- Sink legs are 1⅝" dia. with adjustable feet.
- Drain openings are 3½", recessed.
- Basket drains are 1½" IPS.
- Supply is ½" IPS, hot and cold.

**FEATURES**

- Unibody construction provides maximum durability.
- Sanitary rolled rim is 1½" wide and 2" tall.<sup>1</sup>
- Sink compartments are square corner.
- Leg sockets are welded directly to sink body providing proper load support.
- Drainboard(s) are pitched to drain into adjacent sink bowl.<sup>1</sup>
- All seams are TIG welded and ground to a smooth #4 satin finish.
- Flood level is 14".
- Compatible with DR series drainboards.
- Custom configurations are available.
- Lifetime warranty.
- Proudly made in the USA.

**ACCESSORIES**

- FS-108 8" swing spout faucet
- FS-112 12" swing spout faucet
- FS-114 14" swing spout faucet
- FA-100 Wrist blade handles
- FA-200 Articulating swing arm
- FR-128 Pre-rinse spray.
- WL-200 2" IPS lever drain
- WL-201 2" IPS lever drain w/ overflow

We welcome the opportunity to help you design and configure equipment to suit your specific needs.

In keeping with our policy of continuing product improvement, we reserve the right to change product specifications without notice.

Griffin Products, Inc.  
 303 Blue Bird Parkway  
 Wills Point, TX 75169  
 (800) 379-9709 tel  
 (903) 873-6389 fax



www.griffinproducts.com  
 © 2006 Griffin Products, Inc.

<sup>1</sup> applicable when drainboards are present.

# T60 & T75

SERIES SERIES

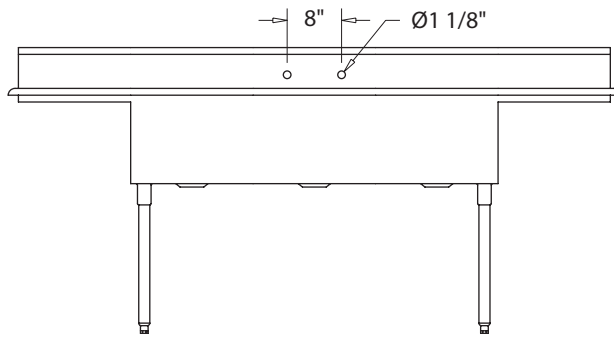
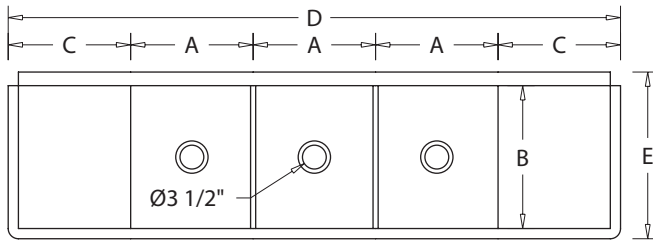
# SCULLERY SINKS

3-Compartments • L&R Drainboards

specifications

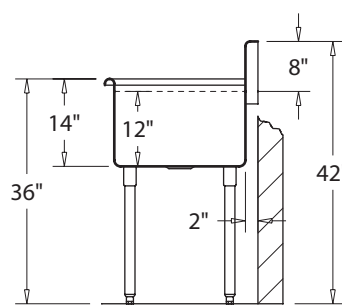
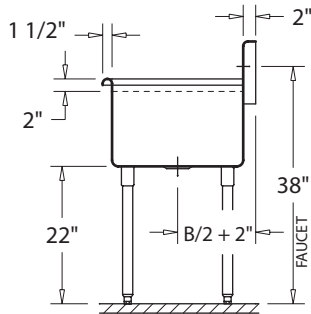
LIFETIME GUARANTEE

ITEM# T \_ \_ - 3 \_ \_ - \_ \_  
 MODEL# \_\_\_\_\_  
 PROJECT \_\_\_\_\_



ROUGH-IN

SECTION



**C60 C75** (specify)

<input type="checkbox"/>	<input type="checkbox"/>	MODEL	A X B	C	D	E
<input type="checkbox"/>	<input type="checkbox"/>	-88		18"	72"	
<input type="checkbox"/>	<input type="checkbox"/>	-378-44	12" x 18"	24"	84"	21½"
<input type="checkbox"/>	<input type="checkbox"/>	-33		30"	96"	
<input type="checkbox"/>	<input type="checkbox"/>	-88		18"	81"	
<input type="checkbox"/>	<input type="checkbox"/>	-354-44	15" x 24"	24"	93"	27½"
<input type="checkbox"/>	<input type="checkbox"/>	-33		30"	105"	
<input type="checkbox"/>	<input type="checkbox"/>	-88		18"	84"	
<input type="checkbox"/>	<input type="checkbox"/>	-368-44	16" x 18"	24"	96"	21½"
<input type="checkbox"/>	<input type="checkbox"/>	-33		30"	108"	
<input type="checkbox"/>	<input type="checkbox"/>	-88		18"	84"	
<input type="checkbox"/>	<input type="checkbox"/>	-361-44	16" x 21"	24"	96"	24½"
<input type="checkbox"/>	<input type="checkbox"/>	-33		30"	108"	
<input type="checkbox"/>	<input type="checkbox"/>	-88		18"	90"	
<input type="checkbox"/>	<input type="checkbox"/>	-388-44	18" x 18"	24"	102"	21½"
<input type="checkbox"/>	<input type="checkbox"/>	-33		30"	114"	
<input type="checkbox"/>	<input type="checkbox"/>	-88		18"	90"	
<input type="checkbox"/>	<input type="checkbox"/>	-381-44	18" x 21"	24"	102"	24½"
<input type="checkbox"/>	<input type="checkbox"/>	-33		30"	114"	
<input type="checkbox"/>	<input type="checkbox"/>	-88		18"	90"	
<input type="checkbox"/>	<input type="checkbox"/>	-384-44	18" x 24"	24"	102"	27½"
<input type="checkbox"/>	<input type="checkbox"/>	-33		30"	114"	
<input type="checkbox"/>	<input type="checkbox"/>	-88		18"	96"	
<input type="checkbox"/>	<input type="checkbox"/>	-321-44	20" x 21"	24"	108"	24½"
<input type="checkbox"/>	<input type="checkbox"/>	-33		30"	120"	
<input type="checkbox"/>	<input type="checkbox"/>	-88		18"	96"	
<input type="checkbox"/>	<input type="checkbox"/>	-324-44	20" x 24"	24"	108"	27½"
<input type="checkbox"/>	<input type="checkbox"/>	-33		30"	120"	
<input type="checkbox"/>	<input type="checkbox"/>	-88		18"	96"	
<input type="checkbox"/>	<input type="checkbox"/>	-323-44	20" x 30"	24"	108"	33½"
<input type="checkbox"/>	<input type="checkbox"/>	-33		30"	120"	
<input type="checkbox"/>	<input type="checkbox"/>	-88		18"	108"	
<input type="checkbox"/>	<input type="checkbox"/>	-344-44	24" x 24"	24"	120"	27½"
<input type="checkbox"/>	<input type="checkbox"/>	-33		30"	132"	
<input type="checkbox"/>	<input type="checkbox"/>	-88		18"	108"	
<input type="checkbox"/>	<input type="checkbox"/>	-343-44	24" x 30"	24"	120"	33½"
<input type="checkbox"/>	<input type="checkbox"/>	-33		30"	132"	

**MATERIAL**

- T60 Series 16 gauge, type 304 stainless
- T75 Series 14 gauge, type 304 stainless
  - Sink compartment(s)
  - Backsplash -Drainboard(s)<sup>1</sup>
- Type 304 stainless steel
  - Basket drains -Sink legs
  - Leg sockets -Bullet feet

**MECHANICAL**

- Backsplash is 8" tall (relative to partition and drainboard) with a 2" wide return.
- Faucet holes are 1½" diameter on 8" centers (sinks with cumulative A dimension greater than 54" are provided two sets of faucet holes).
- Sink legs are 1½" dia. with adjustable feet.
- Drain openings are 3½", recessed.
- Basket drains are 1½" IPS.
- Supply is ½" IPS, hot and cold.

**FEATURES**

- Unibody construction provides maximum durability.
- Sanitary rolled rim is 1½" wide and 2" tall.<sup>1</sup>
- Sink compartments are square corner.
- Leg sockets are welded directly to sink body providing proper load support.
- Drainboard(s) are pitched to drain into adjacent sink bowl.<sup>1</sup>
- All seams are TIG welded and ground to a smooth #4 satin finish.
- Flood level is 14".
- Compatible with DR series reversible drainboards.
- Custom configurations are available.
- Lifetime warranty.
- Proudly made in the USA.

**ACCESSORIES**

- FS-108 8" swing spout faucet
- FS-112 12" swing spout faucet
- FS-114 14" swing spout faucet
- FA-100 Wrist blade handles
- FA-200 Articulating swing arm
- FR-128 Pre-rinse spray.
- WL-200 2" IPS lever drain
- WL-201 2" IPS lever drain w/ overflow

We welcome the opportunity to help you design and configure equipment to suit your specific needs.

In keeping with our policy of continuing product improvement, we reserve the right to change product specifications without notice.

GRIFFIN PRODUCTS, INC.  
 303 Blue Bird Parkway  
 Wills Point, TX 75169  
 (800) 379-9709 tel  
 (903) 873-6389 fax



www.griffinproducts.com  
 © 2006 Griffin Products, Inc.

<sup>1</sup> applicable when drainboards are present.