

**RU**  
SERIES

# UNDERMOUNT

HEAVY-DUTY • 16 ga, T-304 S/S

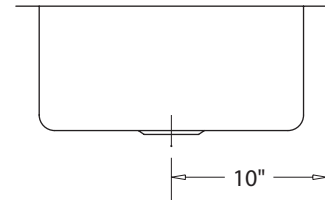
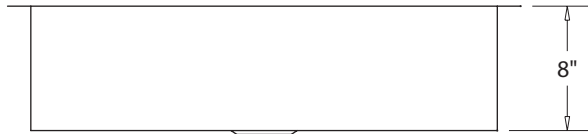
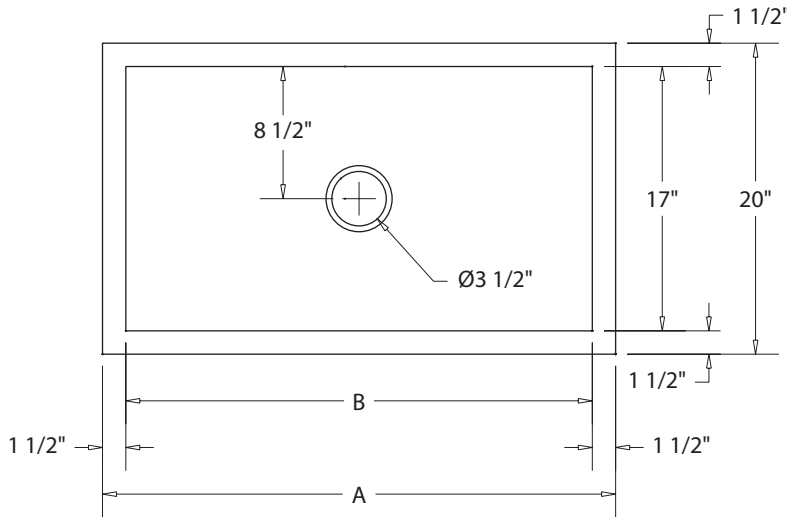
ITEM# **RU-\_\_20-100**

MODEL#

specifications

LIFETIME GUARANTEE

PROJECT



<input checked="" type="checkbox"/>	MODEL	A	B
<input type="checkbox"/>	RU-2720-100	27"	24"
<input type="checkbox"/>	RU-3020-100	30"	27"
<input type="checkbox"/>	RU-3320-100	33"	30"
<input type="checkbox"/>	RU-3620-100	36"	33"

## MATERIAL

- 16 gauge, type 304 stainless

## MECHANICAL

- Sink rim is 1 1/2" wide, all sides.
- Sink compartment(s) are 8" deep.
- Drain openings are 3 1/2", recessed.
- Basket drains are 1 1/2" IPS.

## FEATURES

- Unibody construction provides maximum durability.
- Sink compartment(s) are square corner.
- For two compartment sinks, sanitary partition has 3/4" diameter on-center curl.
- Sink compartment(s) are sound deadened with noise reducing pads.
- All seams are TIG welded and ground to a smooth #4 satin finish.
- Custom configurations are available.
- Lifetime warranty.
- Proudly made in the USA.

We welcome the opportunity to help you design and configure equipment to suit your specific needs.

In keeping with our policy of continuing product improvement, we reserve the right to change product specifications without notice.

## Included:

- WA-350 basket drain

GRIFFIN PRODUCTS, INC.  
303 Blue Bird Parkway  
Wills Point, TX 75169  
(800) 379-9709 tel  
(903) 873-6389 fax

www.griffinproducts.com  
© 2006 Griffin Products, Inc.



RU-XX20-100

**RU**  
SERIES

# UNDERMOUNT

HEAVY-DUTY • 16 ga, T-304 S/S

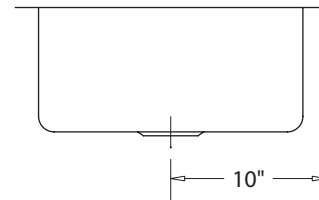
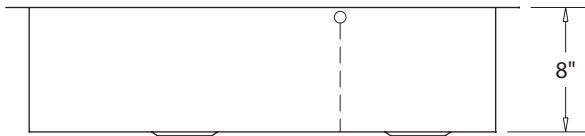
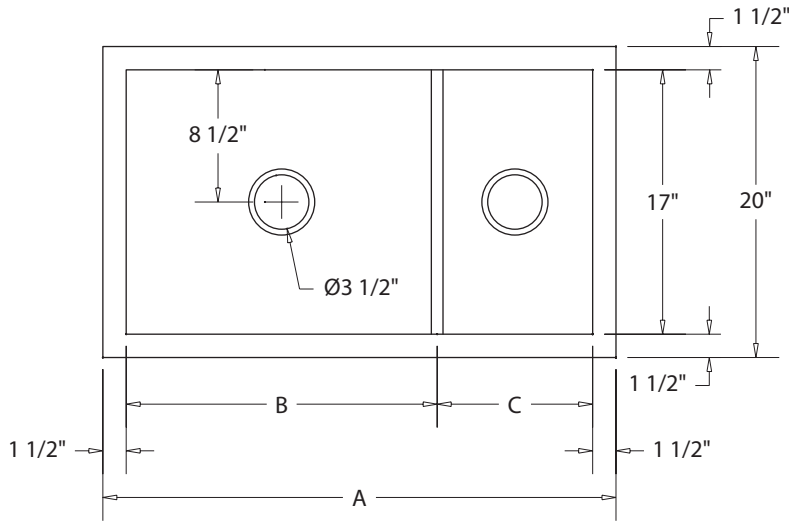
specifications

LIFETIME GUARANTEE

ITEM# **RU-\_\_20-150**

MODEL#

PROJECT



<input checked="" type="checkbox"/>	MODEL	A	B	C
<input type="checkbox"/>	RU-2720-150	27"	16"	8"
<input type="checkbox"/>	RU-3020-150	30"	18"	9"
<input type="checkbox"/>	RU-3320-150	33"	20"	10"
<input type="checkbox"/>	RU-3620-150	36"	22"	11"

### MATERIAL

- 16 gauge, type 304 stainless

### MECHANICAL

- Sink rim is 1 1/2" wide, all sides.
- Sink compartment(s) are 8" deep.
- Drain openings are 3 1/2", recessed.
- Basket drains are 1 1/2" IPS.

### FEATURES

- Unibody construction provides maximum durability.
- Sink compartment(s) are square corner.
- For two compartment sinks, sanitary partition has 3/4" diameter on-center curl.
- Sink compartment(s) are sound deadened with noise reducing pads.
- All seams are TIG welded and ground to a smooth #4 satin finish.
- Custom configurations are available.
- Lifetime warranty.
- Proudly made in the USA.

We welcome the opportunity to help you design and configure equipment to suit your specific needs.

In keeping with our policy of continuing product improvement, we reserve the right to change product specifications without notice.

### Included:

- WA-350 basket drain

GRIFFIN PRODUCTS, INC.  
303 Blue Bird Parkway  
Wills Point, TX 75169  
(800) 379-9709 tel  
(903) 873-6389 fax

www.griffinproducts.com  
© 2006 Griffin Products, Inc.



RU-XX20-150

**RU**  
SERIES

# UNDERMOUNT

HEAVY-DUTY • 16 ga, T-304 S/S

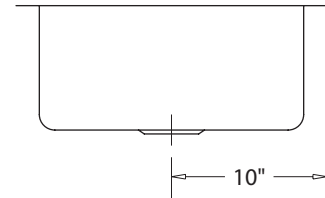
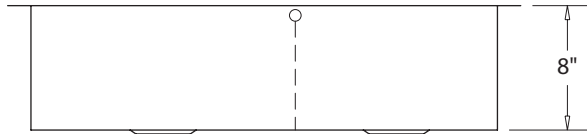
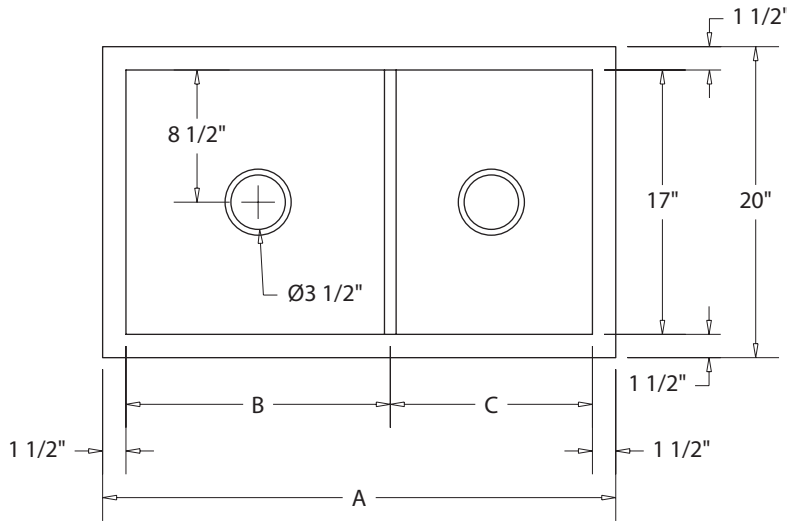
ITEM# **RU-\_\_20-175**

MODEL#

specifications

LIFETIME GUARANTEE

PROJECT



<input checked="" type="checkbox"/>	MODEL	A	B	C
<input type="checkbox"/>	RU-2720-175	27"	14"	10"
<input type="checkbox"/>	RU-3020-175	30"	15½"	11½"
<input type="checkbox"/>	RU-3320-175	33"	17"	13"
<input type="checkbox"/>	RU-3620-175	36"	19"	14"

## MATERIAL

- 16 gauge, type 304 stainless

## MECHANICAL

- Sink rim is 1½" wide, all sides.
- Sink compartment(s) are 8" deep.
- Drain openings are 3½", recessed.
- Basket drains are 1½" IPS.

## FEATURES

- Unibody construction provides maximum durability.
- Sink compartment(s) are square corner.
- For two compartment sinks, sanitary partition has ¾" diameter on-center curl.
- Sink compartment(s) are sound deadened with noise reducing pads.
- All seams are TIG welded and ground to a smooth #4 satin finish.
- Custom configurations are available.
- Lifetime warranty.
- Proudly made in the USA.

We welcome the opportunity to help you design and configure equipment to suit your specific needs.

In keeping with our policy of continuing product improvement, we reserve the right to change product specifications without notice.

## Included:

- WA-350 basket drain

GRIFFIN PRODUCTS, INC.  
303 Blue Bird Parkway  
Wills Point, TX 75169  
(800) 379-9709 tel  
(903) 873-6389 fax

www.griffinproducts.com  
© 2006 Griffin Products, Inc.



RU-XX20-175

**RU**  
SERIES

# UNDERMOUNT

HEAVY-DUTY • 16 ga, T-304 S/S

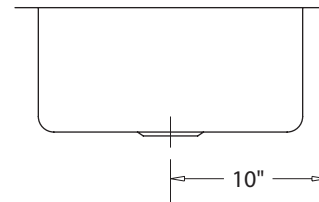
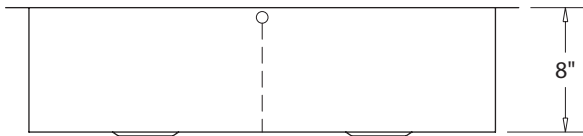
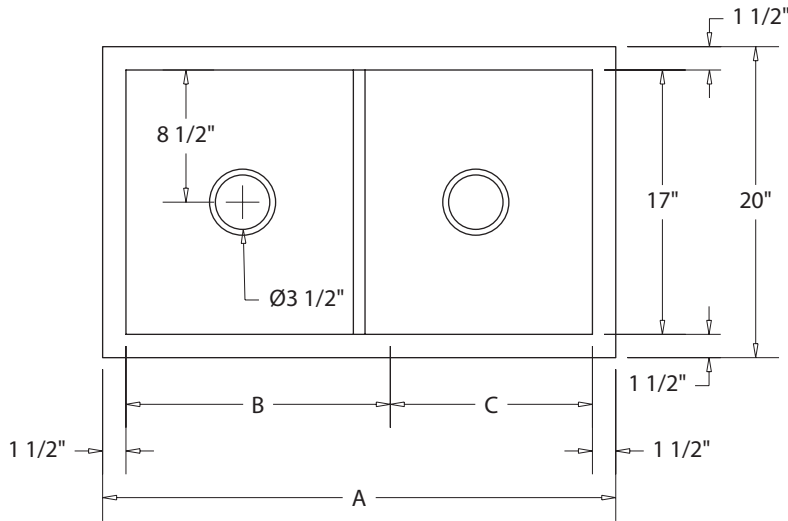
specifications

LIFETIME GUARANTEE

ITEM# **RU-\_\_20-200**

MODEL#

PROJECT



<input checked="" type="checkbox"/>	MODEL	A	B	C
<input type="checkbox"/>	RU-2720-200	27"	12"	12"
<input type="checkbox"/>	RU-3020-200	30"	13 1/2"	13 1/2"
<input type="checkbox"/>	RU-3320-200	33"	15"	15"
<input type="checkbox"/>	RU-3620-200	36"	16 1/2"	16 1/2"

### MATERIAL

- 16 gauge, type 304 stainless

### MECHANICAL

- Sink rim is 1 1/2" wide, all sides.
- Sink compartment(s) are 8" deep.
- Drain openings are 3 1/2", recessed.
- Basket drains are 1 1/2" IPS.

### FEATURES

- Unibody construction provides maximum durability.
- Sink compartment(s) are square corner.
- For two compartment sinks, sanitary partition has 3/4" diameter on-center curl.
- Sink compartment(s) are sound deadened with noise reducing pads.
- All seams are TIG welded and ground to a smooth #4 satin finish.
- Custom configurations are available.
- Lifetime warranty.
- Proudly made in the USA.

We welcome the opportunity to help you design and configure equipment to suit your specific needs.

In keeping with our policy of continuing product improvement, we reserve the right to change product specifications without notice.

### Included:

- WA-350 basket drain

GRIFFIN PRODUCTS, INC.  
303 Blue Bird Parkway  
Wills Point, TX 75169  
(800) 379-9709 tel  
(903) 873-6389 fax

www.griffinproducts.com  
© 2006 Griffin Products, Inc.



RU-XX20-200

**RA**  
SERIES

# UNDERMOUNT

"FARM" SINKS • 16 ga, T-304 S/S

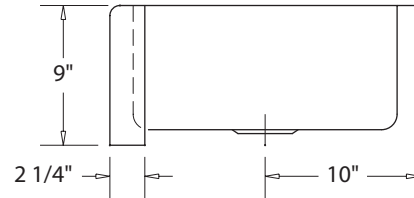
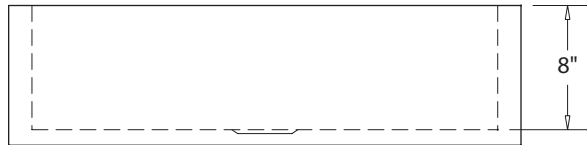
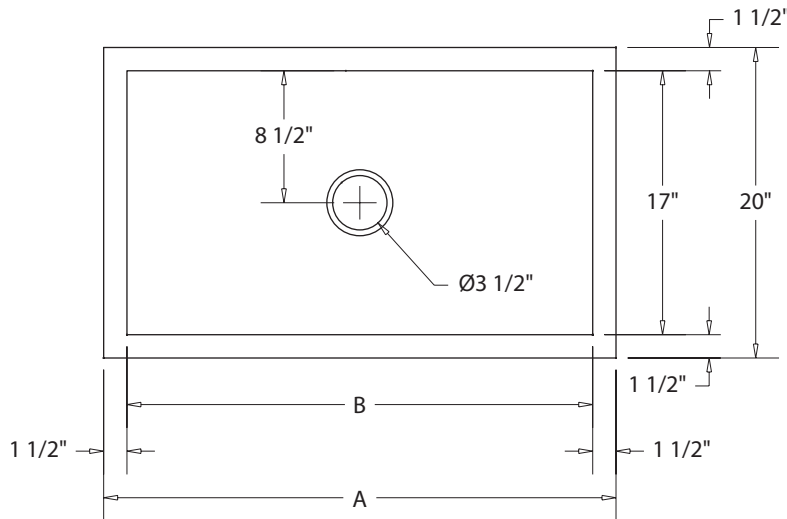
ITEM# **RA-\_\_20-100**

MODEL#

PROJECT

specifications

LIFETIME GUARANTEE



<input checked="" type="checkbox"/>	MODEL	A	B
<input type="checkbox"/>	RA-2720-100	27"	24"
<input type="checkbox"/>	RA-3020-100	30"	27"
<input type="checkbox"/>	RA-3320-100	33"	30"
<input type="checkbox"/>	RA-3620-100	36"	33"

## MATERIAL

- 16 gauge, type 304 stainless

## MECHANICAL

- Sink rim is 1 1/2" wide, all sides.
- Sink compartment(s) are 8" deep.
- Apron front extends 1" past sink compartment.
- Drain openings are 3 1/2", recessed.
- Basket drains are 1 1/2" IPS.

## FEATURES

- Unibody construction provides maximum durability.
- Sink compartment(s) are square corner.
- For two compartment sinks, sanitary partition has 3/4" diameter on-center curl.
- Sink compartment(s) are sound deadened with noise reducing pads.
- Full front apron with 3/4" radius top edge.
- All seams are TIG welded and ground to a smooth #4 satin finish.
- Custom configurations are available.
- Lifetime warranty.
- Proudly made in the USA.

We welcome the opportunity to help you design and configure equipment to suit your specific needs.

In keeping with our policy of continuing product improvement, we reserve the right to change product specifications without notice.

## Included:

- WA-350 basket drain

GRIFFIN PRODUCTS, INC.  
303 Blue Bird Parkway  
Wills Point, TX 75169  
(800) 379-9709 tel  
(903) 873-6389 fax

www.griffinproducts.com  
© 2006 Griffin Products, Inc.



RA-XX20-100

**RA**  
SERIES

# UNDERMOUNT

"FARM SINKS" • 16 ga, T-304 S/S

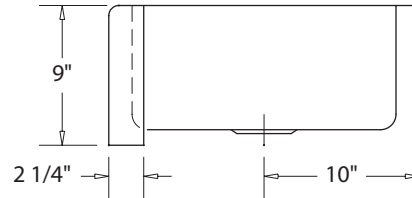
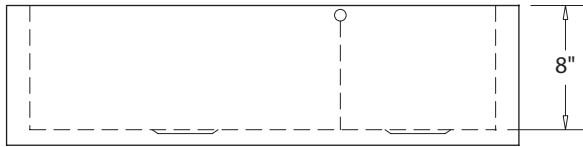
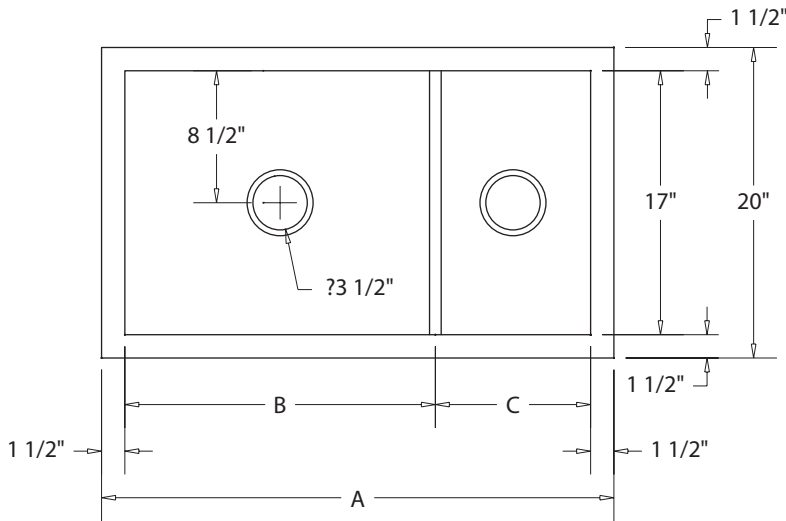
ITEM# **RA-\_\_20-150**

MODEL#

specifications

LIFETIME GUARANTEE

PROJECT



<input checked="" type="checkbox"/>	MODEL	A	B	C
<input type="checkbox"/>	RA-2720-150	27"	16"	8"
<input type="checkbox"/>	RA-3020-150	30"	18"	9"
<input type="checkbox"/>	RA-3320-150	33"	20"	10"
<input type="checkbox"/>	RA-3620-150	36"	22"	11"

### MATERIAL

- 16 gauge, type 304 stainless

### MECHANICAL

- Sink rim is 1 1/2" wide, all sides.
- Sink compartment(s) are 8" deep.
- Apron front extends 1" past sink compartment.
- Drain openings are 3 1/2", recessed.
- Basket drains are 1 1/2" IPS.

### FEATURES

- Unibody construction provides maximum durability.
- Sink compartment(s) are square corner.
- For two compartment sinks, sanitary partition has 3/4" diameter on-center curl.
- Sink compartment(s) are sound deadened with noise reducing pads.
- Full front apron with 3/4" radius top edge.
- All seams are TIG welded and ground to a smooth #4 satin finish.
- Custom configurations are available.
- Lifetime warranty.
- Proudly made in the USA.

We welcome the opportunity to help you design and configure equipment to suit your specific needs.

In keeping with our policy of continuing product improvement, we reserve the right to change product specifications without notice.

### Included:

- WA-350 basket drain

GRIFFIN PRODUCTS, INC.  
303 Blue Bird Parkway  
Wills Point, TX 75169  
(800) 379-9709 tel  
(903) 873-6389 fax

www.griffinproducts.com  
© 2006 Griffin Products, Inc.



RA-XX20-150

**RA**  
SERIES

# UNDERMOUNT

"FARM" SINKS • 16 ga, T-304 S/S

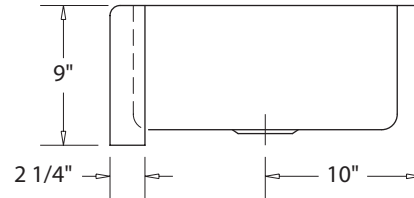
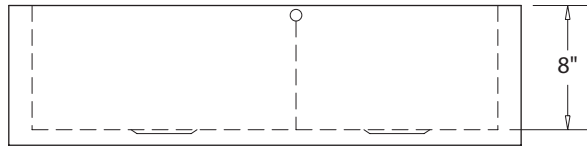
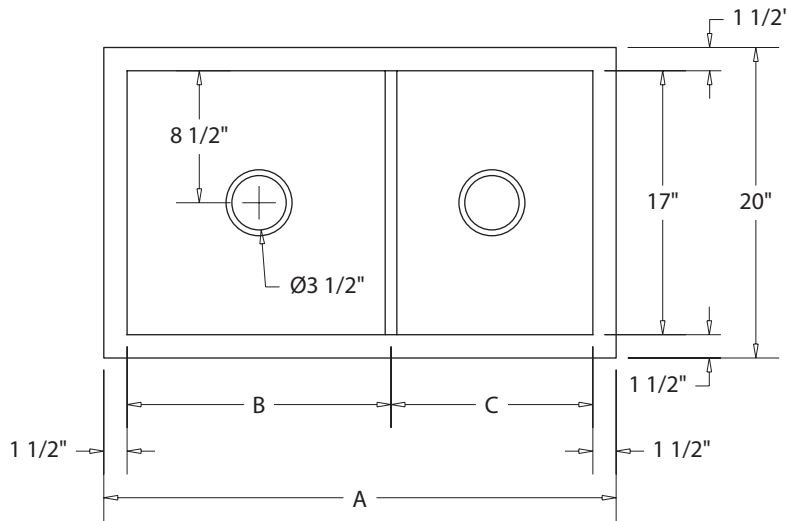
ITEM# **RA-\_\_20-175**

MODEL#

specifications

LIFETIME GUARANTEE

PROJECT



<input checked="" type="checkbox"/>	MODEL	A	B	C
<input type="checkbox"/>	RA-2720-175	27"	14"	10"
<input type="checkbox"/>	RA-3020-175	30"	15 1/2"	11 1/2"
<input type="checkbox"/>	RA-3320-175	33"	17"	13"
<input type="checkbox"/>	RA-3620-175	36"	19"	14"

## MATERIAL

- 16 gauge, type 304 stainless

## MECHANICAL

- Sink rim is 1 1/2" wide, all sides.
- Sink compartment(s) are 8" deep.
- Apron front extends 1" past sink compartment.
- Drain openings are 3/2", recessed.
- Basket drains are 1/2" IPS.

## FEATURES

- Unibody construction provides maximum durability.
- Sink compartment(s) are square corner.
- For two compartment sinks, sanitary partition has 3/4" diameter on-center curl.
- Sink compartment(s) are sound deadened with noise reducing pads.
- Full front apron with 3/4" radius top edge.
- All seams are TIG welded and ground to a smooth #4 satin finish.
- Custom configurations are available.
- Lifetime warranty.
- Proudly made in the USA.

We welcome the opportunity to help you design and configure equipment to suit your specific needs.

In keeping with our policy of continuing product improvement, we reserve the right to change product specifications without notice.

## Included:

- WA-350 basket drain

GRIFFIN PRODUCTS, INC.  
303 Blue Bird Parkway  
Wills Point, TX 75169  
(800) 379-9709 tel  
(903) 873-6389 fax

www.griffinproducts.com  
© 2006 Griffin Products, Inc.



RA-XX20-175

**RA**  
SERIES

# UNDERMOUNT

"FARM SINKS" • 16 ga, T-304 S/S

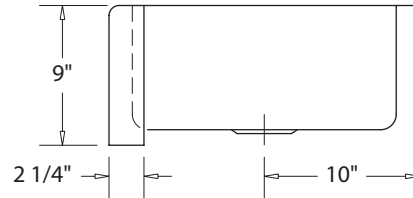
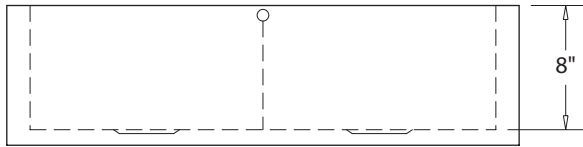
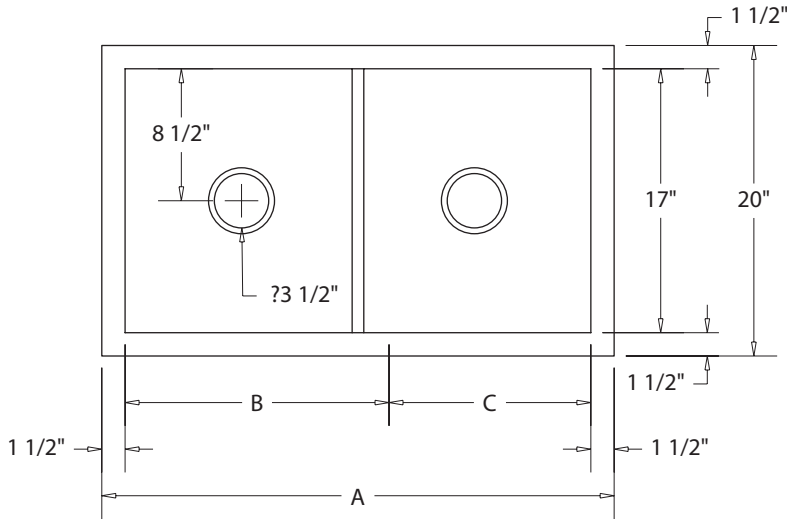
ITEM# **RA-\_\_20-200**

MODEL#

specifications

LIFETIME GUARANTEE

PROJECT



<input checked="" type="checkbox"/>	MODEL	A	B	C
<input type="checkbox"/>	RA-2720-200	27"	12"	12"
<input type="checkbox"/>	RA-3020-200	30"	13½"	13½"
<input type="checkbox"/>	RA-3320-200	33"	15"	15"
<input type="checkbox"/>	RA-3620-200	36"	16½"	16½"

### MATERIAL

- 16 gauge, type 304 stainless

### MECHANICAL

- Sink rim is 1½" wide, all sides.
- Sink compartment(s) are 8" deep.
- Apron front extends 1" past sink compartment.
- Drain openings are 3½", recessed.
- Basket drains are 1½" IPS.

### FEATURES

- Unibody construction provides maximum durability.
- Sink compartment(s) are square corner.
- For two compartment sinks, sanitary partition has ¾" diameter on-center curl.
- Sink compartment(s) are sound deadened with noise reducing pads.
- Full front apron with ¾" radius top edge.
- All seams are TIG welded and ground to a smooth #4 satin finish.
- Custom configurations are available.
- Lifetime warranty.
- Proudly made in the USA.

We welcome the opportunity to help you design and configure equipment to suit your specific needs.

In keeping with our policy of continuing product improvement, we reserve the right to change product specifications without notice.

### Included:

- WA-350 basket drain

GRIFFIN PRODUCTS, INC.  
303 Blue Bird Parkway  
Wills Point, TX 75169  
(800) 379-9709 tel  
(903) 873-6389 fax

www.griffinproducts.com  
© 2006 Griffin Products, Inc.



RA-XX20-200



# RUS

# UNDERMOUNT

LIGHT-DUTY / RESIDENTIAL

ITEM#

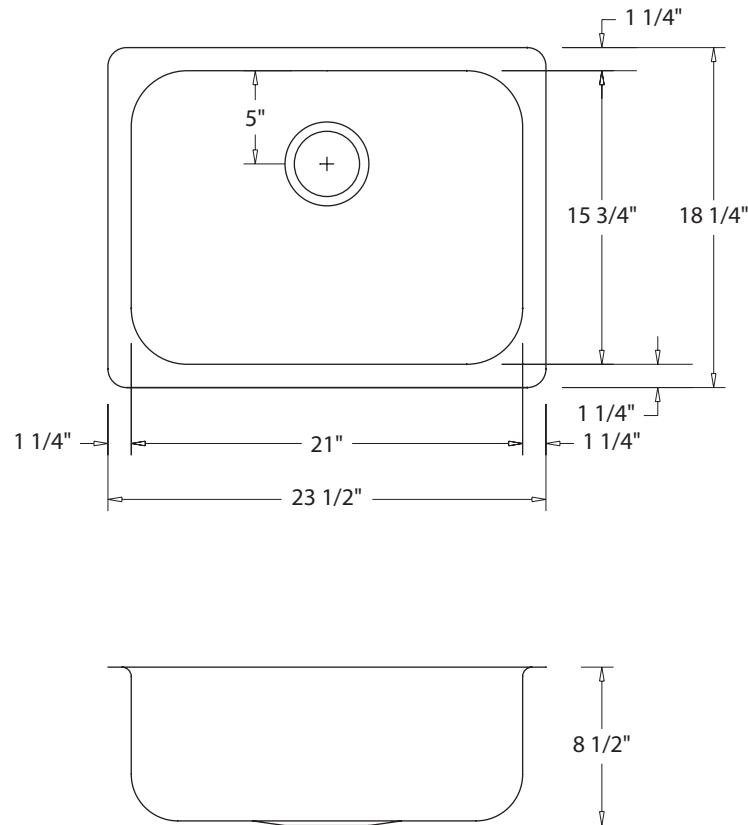
RUS-2318

MODEL#

PROJECT

specifications

LIFETIME GUARANTEE



## FEATURES

- 20 gauge, type 304 stainless steel
- High lustre Diamond-Glo finish
- 3 1/2" rear center drain opening
- Full undercoat over sound deadening pads
- Mirror rim radius
- Includes mounting hardware
- Fine machine polished rim
- Template provided
- Suggested cabinet size 30"
- Shipping weight 12 lbs.

In keeping with our policy of continuing product improvement, we reserve the right to change product specifications without prior notice.

GRIFFIN PRODUCTS, INC.  
303 Blue Bird Parkway  
Wills Point, TX 75169  
(800) 379-9709 tel  
(903) 873-6389 fax

www.griffinproducts.com  
© 2006 Griffin Products, Inc.



# RUS

# UNDERMOUNT

LIGHT-DUTY / RESIDENTIAL

ITEM#

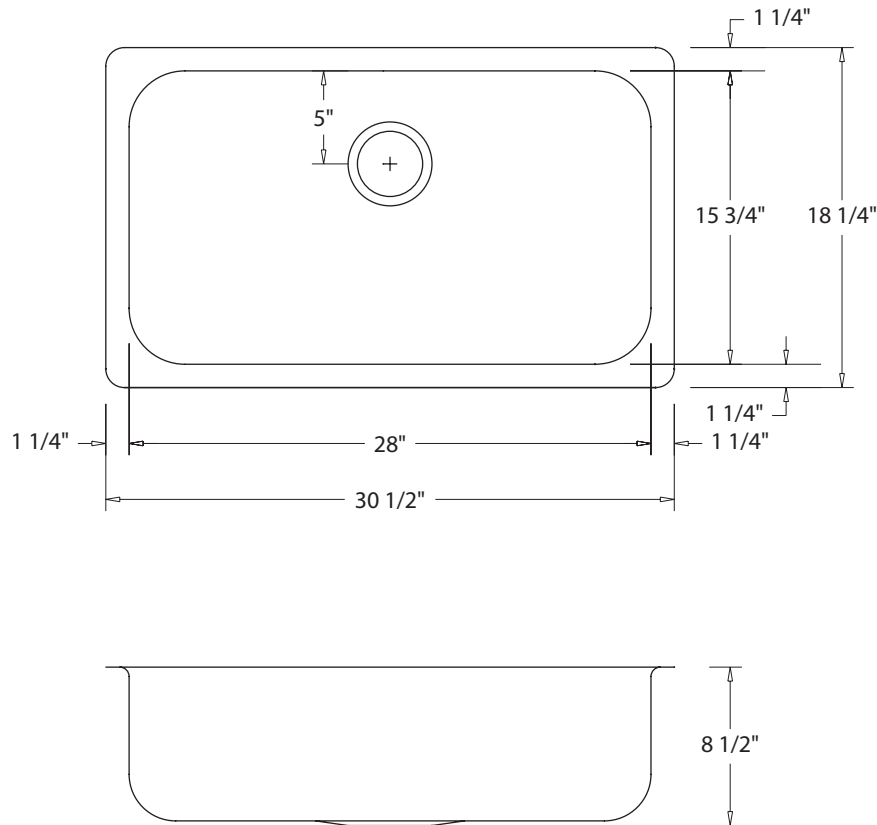
# RUS-2918

MODEL#

PROJECT

specifications

LIFETIME GUARANTEE



## FEATURES

- 20 gauge, type 304 stainless steel
- High lustre Diamond-Glo finish
- 3 1/2" rear center drain opening
- Full undercoat over sound deadening pads
- Mirror rim radius
- Includes mounting hardware
- Fine machine polished rim
- Template provided
- Suggested cabinet size 36"
- Shipping weight 13 lbs.

In keeping with our policy of continuing product improvement, we reserve the right to change product specifications without prior notice.

GRIFFIN PRODUCTS, INC.  
303 Blue Bird Parkway  
Wills Point, TX 75169  
(800) 379-9709 tel  
(903) 873-6389 fax

www.griffinproducts.com  
© 2006 Griffin Products, Inc.



# RUD

# UNDERMOUNT

LIGHT-DUTY / RESIDENTIAL

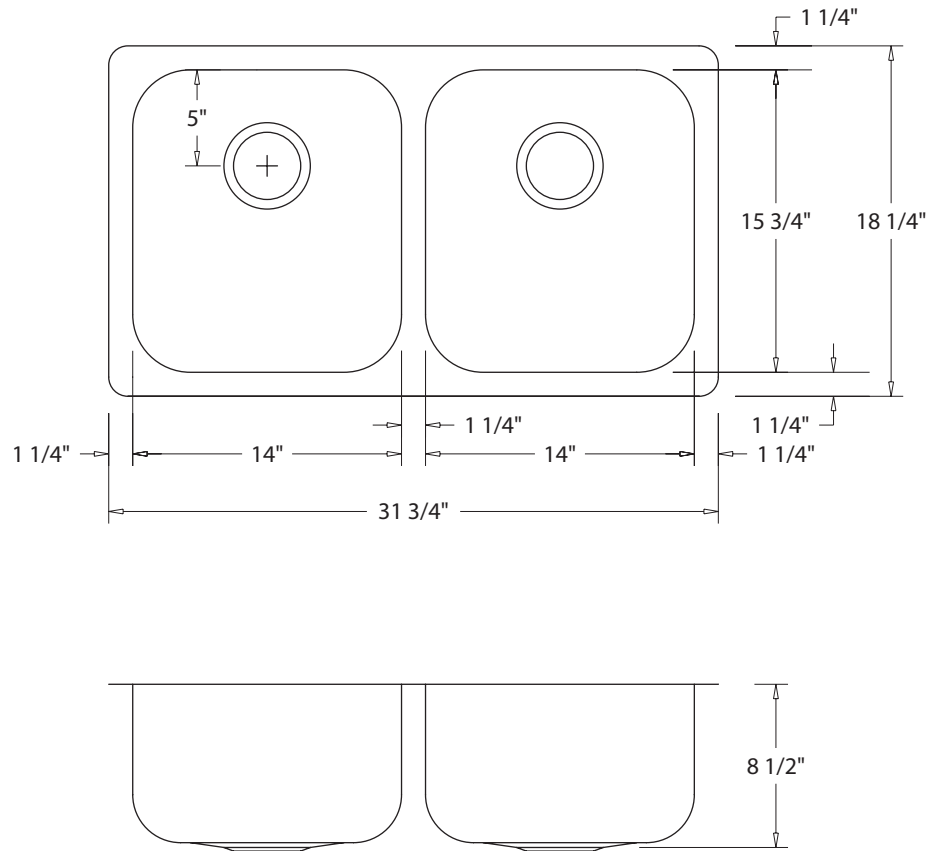
ITEM# **RUD-3118**

MODEL#

specifications

LIFETIME GUARANTEE

PROJECT



## FEATURES

- 20 gauge, type 304 stainless steel
- High lustre Diamond-Glo finish
- 3 1/2" rear center drain opening
- Full undercoat over sound deadening pads
- Mirror rim radius
- Includes mounting hardware
- Fine machine polished rim
- Template provided
- Suggested cabinet size 36"
- Shipping weight 17 lbs.

In keeping with our policy of continuing product improvement, we reserve the right to change product specifications without prior notice.

GRIFFIN PRODUCTS, INC.  
303 Blue Bird Parkway  
Wills Point, TX 75169  
(800) 379-9709 tel  
(903) 873-6389 fax

www.griffinproducts.com  
© 2006 Griffin Products, Inc.

