

DTS
SERIES

DISH TABLES

HEAVY-DUTY • 16 ga, T-304 S/S

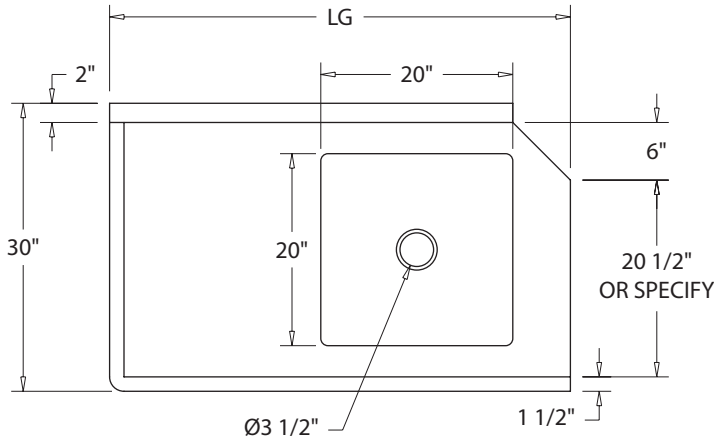
ITEM# **DTS-___-LT**

MODEL#

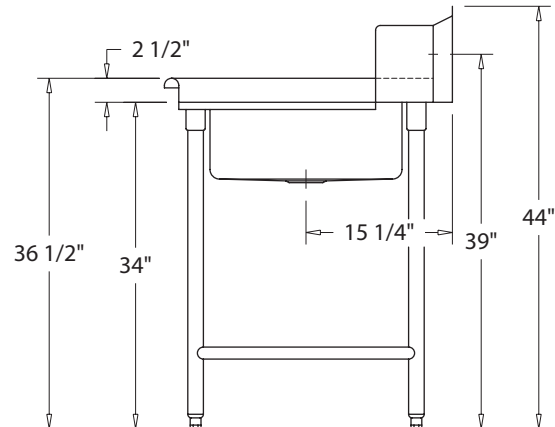
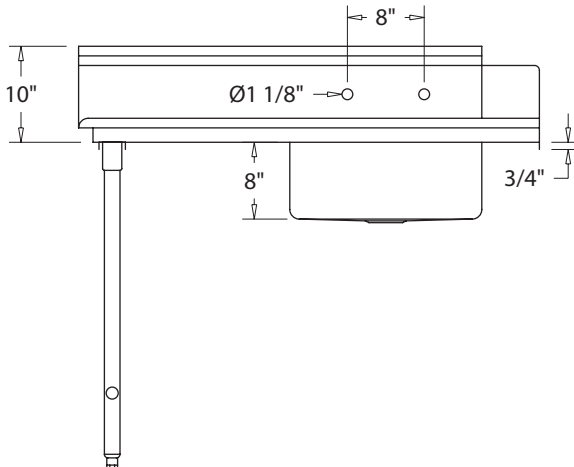
PROJECT

specifications

LIFETIME GUARANTEE



<input checked="" type="checkbox"/>	MODEL	LG
<input type="checkbox"/>	DTS-024-LT	24"
<input type="checkbox"/>	DTS-036-LT	36"
<input type="checkbox"/>	DTS-048-LT	48"
<input type="checkbox"/>	DTS-054-LT	54"
<input type="checkbox"/>	DTS-060-LT	60"
<input type="checkbox"/>	DTS-072-LT	72"
<input type="checkbox"/>	DTS-084-LT	84"
<input type="checkbox"/>	DTS-108-LT	108"



MATERIAL

- 16 gauge, type 304 stainless steel
 - Work surface
 - Backsplash
 - Legs & rails
 - Sink Bowl
- Type 304 stainless
 - Leg sockets
 - Adjustable feet
 - Basket drain

MECHANICAL

- Backsplash is 10" tall with a 2" return.
- Tile edge is 1" tall with pre-drilled mounting holes, 1/4" diameter.
- Faucet holes are 1 1/8" diameter on 8" centers.
- Table legs are 1 5/8" diameter with adjustable bullet feet.
- Sink compartment is 8" deep.
- Drain opening is 3 1/2", recessed.
- Basket drain is 1 1/2" IPS.
- Supply is 1/2", hot and cold.

FEATURES

- Sink bowl is custom fabricated, not drawn.
- Coved compartment is 3/4" radius, both horizontal and vertical.
- Sanitary roll is 1 1/2" wide by 2 1/2" tall.
- Tile edge is provided with pre-drilled mounting holes to securely fasten sink to the wall.
- All seams are TIG welded and ground to a smooth #4 satin finish.
- Custom configurations are available.
- NSF approved.
- Lifetime warranty.
- Proudly made in the USA.

Included:

- WA-350 basket drain

ACCESSORIES

- FR-128 Wall mount pre-rinse spray
- FA-200 Articulating swing arm
- FA-500 Add-a-faucet

We welcome the opportunity to help you design and configure equipment to suit your specific needs.

In keeping with our policy of continuing product improvement, we reserve the right to change product specifications without notice.

GRIFFIN PRODUCTS, INC.
303 Blue Bird Parkway
Wills Point, TX 75169
(800) 379-9709 tel
(903) 873-6389 fax

www.griffinproducts.com
© 2006 Griffin Products, Inc.



DTC
SERIES

DISH TABLES

HEAVY-DUTY • 16 ga, T-304 S/S

ITEM# **DTC-___-RT**

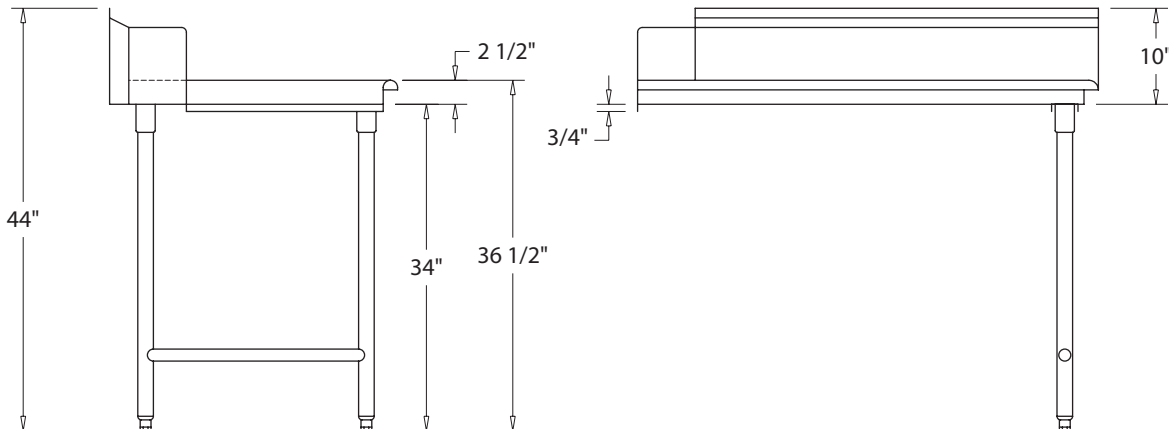
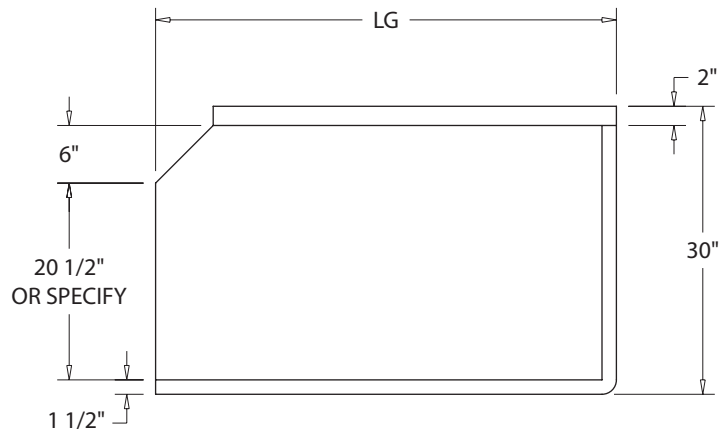
MODEL#

PROJECT

specifications

LIFETIME GUARANTEE

☑	MODEL	LG
<input type="checkbox"/>	DTC-024-RT	24"
<input type="checkbox"/>	DTC-036-RT	36"
<input type="checkbox"/>	DTC-048-RT	48"
<input type="checkbox"/>	DTC-054-RT	54"
<input type="checkbox"/>	DTC-060-RT	60"
<input type="checkbox"/>	DTC-072-RT	72"
<input type="checkbox"/>	DTC-084-RT	84"
<input type="checkbox"/>	DTC-108-RT	108"



MATERIAL

- 16 gauge, type 304 stainless steel
 - Work surface
 - Backsplash
 - Legs & rails
- Type 304 stainless
 - Leg sockets
 - Adjustable feet

MECHANICAL

- Backsplash is 10" tall with a 2" return.
- Tile edge is 1" tall with pre-drilled mounting holes, 1/4" diameter.
- Table legs are 1 1/8" diameter with adjustable bullet feet.

FEATURES

- Sanitary roll is 1 1/2" wide by 2 1/2" tall.
- Tile edge is provided with pre-drilled mounting holes to securely fasten sink to the wall.
- All seams are TIG welded and ground to a smooth #4 satin finish.
- Custom configurations are available.
- NSF approved.
- Lifetime warranty.
- Proudly made in the USA.

We welcome the opportunity to help you design and configure equipment to suit your specific needs.

In keeping with our policy of continuing product improvement, we reserve the right to change product specifications without notice.

GRIFFIN PRODUCTS, INC.
303 Blue Bird Parkway
Wills Point, TX 75169
(800) 379-9709 tel
(903) 873-6389 fax

www.griffinproducts.com
© 2006 Griffin Products, Inc.



DTC
SERIES

DISH TABLES

HEAVY-DUTY • 16 ga, T-304 S/S

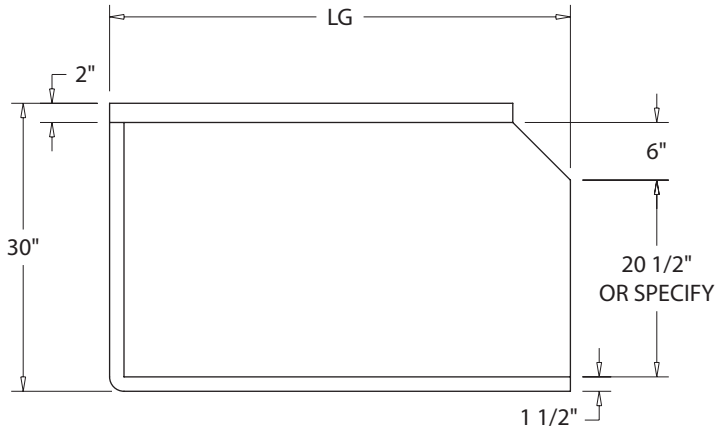
ITEM# **DTC-___-LT**

MODEL#

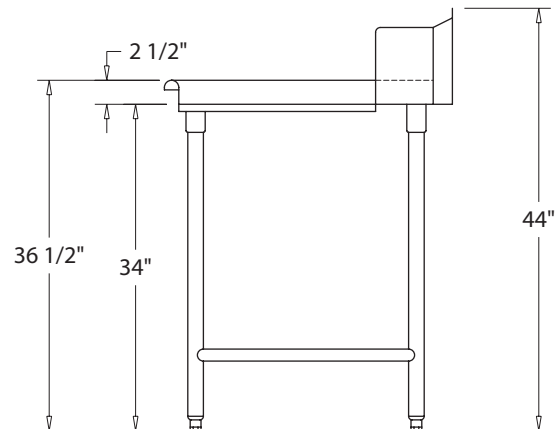
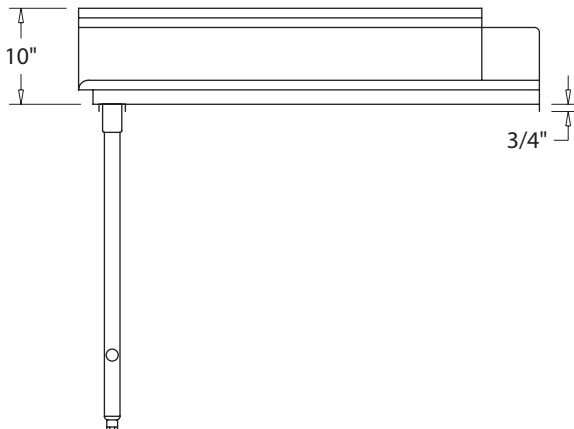
PROJECT

specifications

LIFETIME GUARANTEE



<input checked="" type="checkbox"/>	MODEL	LG
<input type="checkbox"/>	DTC-024-LT	24"
<input type="checkbox"/>	DTC-036-LT	36"
<input type="checkbox"/>	DTC-048-LT	48"
<input type="checkbox"/>	DTC-054-LT	54"
<input type="checkbox"/>	DTC-060-LT	60"
<input type="checkbox"/>	DTC-072-LT	72"
<input type="checkbox"/>	DTC-084-LT	84"
<input type="checkbox"/>	DTC-108-LT	108"



MATERIAL

- 16 gauge, type 304 stainless steel
 - Work surface
 - Backsplash
 - Legs & rails
- Type 304 stainless
 - Leg sockets
 - Adjustable feet

MECHANICAL

- Backsplash is 10" tall with a 2" return.
- Tile edge is 1" tall with pre-drilled mounting holes, 1/4" diameter.
- Table legs are 1 1/2" diameter with adjustable bullet feet.

FEATURES

- Sanitary roll is 1 1/2" wide by 2 1/2" tall.
- Tile edge is provided with pre-drilled mounting holes to securely fasten sink to the wall.
- All seams are TIG welded and ground to a smooth #4 satin finish.
- Custom configurations are available.
- NSF approved.
- Lifetime warranty.
- Proudly made in the USA.

We welcome the opportunity to help you design and configure equipment to suit your specific needs.

In keeping with our policy of continuing product improvement, we reserve the right to change product specifications without notice.

GRIFFIN PRODUCTS, INC.
303 Blue Bird Parkway
Wills Point, TX 75169
(800) 379-9709 tel
(903) 873-6389 fax

www.griffinproducts.com
© 2006 Griffin Products, Inc.



DTC-XXX-LT

DTS
SERIES

DISH TABLES

HEAVY-DUTY • 16 ga, T-304 S/S

ITEM# **DTS-___-RT**

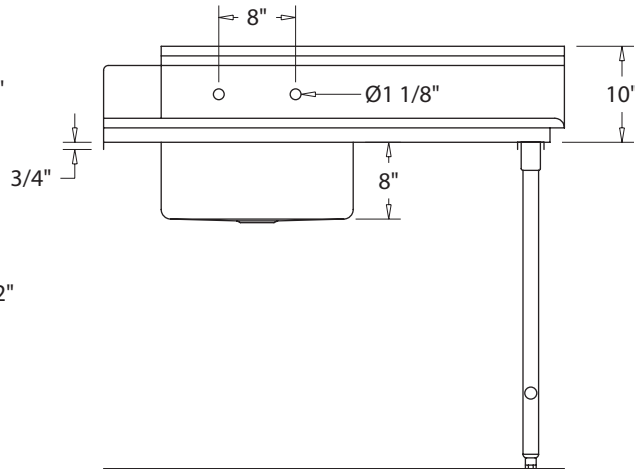
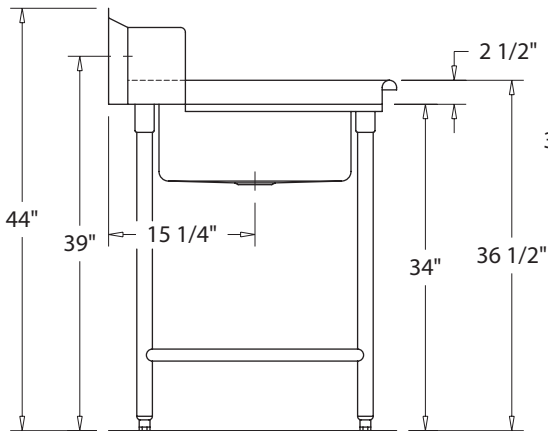
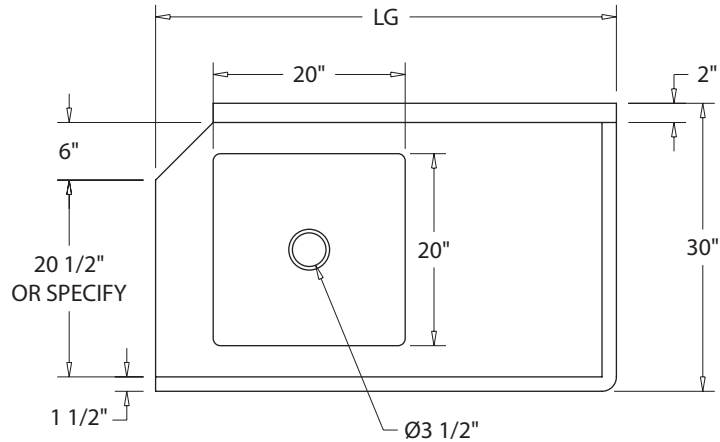
MODEL#

PROJECT

specifications

LIFETIME GUARANTEE

☑	MODEL	LG
<input type="checkbox"/>	DTS-024-RT	24"
<input type="checkbox"/>	DTS-036-RT	36"
<input type="checkbox"/>	DTS-048-RT	48"
<input type="checkbox"/>	DTS-054-RT	54"
<input type="checkbox"/>	DTS-060-RT	60"
<input type="checkbox"/>	DTS-072-RT	72"
<input type="checkbox"/>	DTS-084-RT	84"
<input type="checkbox"/>	DTS-108-RT	108"



MATERIAL

- 16 gauge, type 304 stainless steel
 - Work surface
 - Backsplash
 - Legs & rails
 - Sink Bowl
- Type 304 stainless
 - Leg sockets
 - Adjustable feet
 - Basket drain

MECHANICAL

- Backsplash is 10" tall with a 2" return.
- Tile edge is 1" tall with pre-drilled mounting holes, 1/4" diameter.
- Faucet holes are 1 1/8" diameter on 8" centers.
- Table legs are 1 1/2" diameter with adjustable bullet feet.
- Sink compartment is 8" deep.
- Drain opening is 3 1/2", recessed.
- Basket drain is 1 1/2" IPS.
- Supply is 1/2", hot and cold.

FEATURES

- Sink bowl is custom fabricated, not drawn.
- Coved compartment is 3/4" radius, both horizontal and vertical.
- Sanitary roll is 1 1/2" wide by 2 1/2" tall.
- Tile edge is provided with pre-drilled mounting holes to securely fasten sink to the wall.
- All seams are TIG welded and ground to a smooth #4 satin finish.
- Custom configurations are available.
- NSF approved.
- Lifetime warranty.
- Proudly made in the USA.

Included:

- WA-350 basket drain

ACCESSORIES

- FR-128 Wall mount pre-rinse spray
- FA-200 Articulating swing arm
- FA-500 Add-a-faucet

We welcome the opportunity to help you design and configure equipment to suit your specific needs.

In keeping with our policy of continuing product improvement, we reserve the right to change product specifications without notice.

GRIFFIN PRODUCTS, INC.
303 Blue Bird Parkway
Wills Point, TX 75169
(800) 379-9709 tel
(903) 873-6389 fax

www.griffinproducts.com
© 2006 Griffin Products, Inc.



DTS-XXX-RT

TRF
SERIES

WORK TABLES

HEAVY DUTY • 16 ga, T-304 S/S

specifications

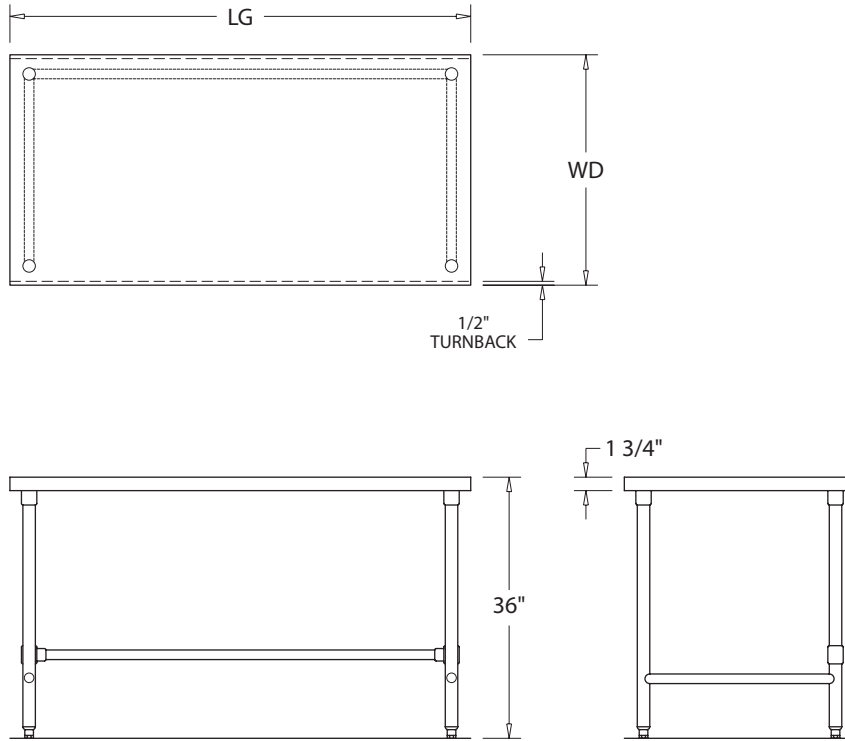
LIFETIME GUARANTEE

ITEM# _____

TRF- _ _ _

MODEL# _____

PROJECT _____



<input checked="" type="checkbox"/>	MODEL	LG	WD
<input type="checkbox"/>	TRF-224	24"	
<input type="checkbox"/>	TRF-324	36"	
<input type="checkbox"/>	TRF-424	48"	
<input type="checkbox"/>	TRF-524	60"	24"
<input type="checkbox"/>	TRF-624	72"	
<input type="checkbox"/>	TRF-724	84"	
<input type="checkbox"/>	TRF-824	96"	
<input type="checkbox"/>	TRF-924	108"	
<input type="checkbox"/>	TRF-230	24"	
<input type="checkbox"/>	TRF-330	36"	
<input type="checkbox"/>	TRF-430	48"	
<input type="checkbox"/>	TRF-530	60"	30"
<input type="checkbox"/>	TRF-630	72"	
<input type="checkbox"/>	TRF-730	84"	
<input type="checkbox"/>	TRF-830	96"	
<input type="checkbox"/>	TRF-930	108"	
<input type="checkbox"/>	TRF-236	24"	
<input type="checkbox"/>	TRF-336	36"	
<input type="checkbox"/>	TRF-436	48"	
<input type="checkbox"/>	TRF-536	60"	36"
<input type="checkbox"/>	TRF-636	72"	
<input type="checkbox"/>	TRF-736	84"	
<input type="checkbox"/>	TRF-836	96"	
<input type="checkbox"/>	TRF-936	108"	

MATERIAL

- 16 gauge, type 304 stainless steel
-Work surface -Legs & rails
- 18 gauge, type 304 stainless steel
-Undershelf (TUF & TUB models)
- Type 304 stainless
-Leg sockets -Adjustable feet
- 12 gauge galvanized steel
-Table channels

FEATURES

- Flat backsplash is 1 3/4" tall (TRB & TUB models).
- Front face features a 1/2" turn back to conceal exposed edge.
- Undershelves are easily removable to aid in cleaning area below (TUF & TUB models). Front to back rails are welded and left to right is adjustable and removable.
- Stainless feet are adjustable bullet type.
- 12 gauge channel structure provides maximum stability.
- Work surface is 34" above finished floor.
- Table legs are 1 3/8" diameter round tubing.
- Cross rails are 1 1/4" diameter.
- Custom configurations are available.
- NSF approved.
- Lifetime warranty.
- Proudly made in the USA.

We welcome the opportunity to help you design and configure equipment to suit your specific needs.

In keeping with our policy of continuing product improvement, we reserve the right to change product specifications without notice.

GRIFFIN PRODUCTS, INC.
303 Blue Bird Parkway
Wills Point, TX 75169
(800) 379-9709 tel
(903) 873-6389 fax

www.griffinproducts.com
© 2006 Griffin Products, Inc.



TUF
SERIES

WORK TABLES

HEAVY DUTY • 16 ga, T-304 S/S

specifications

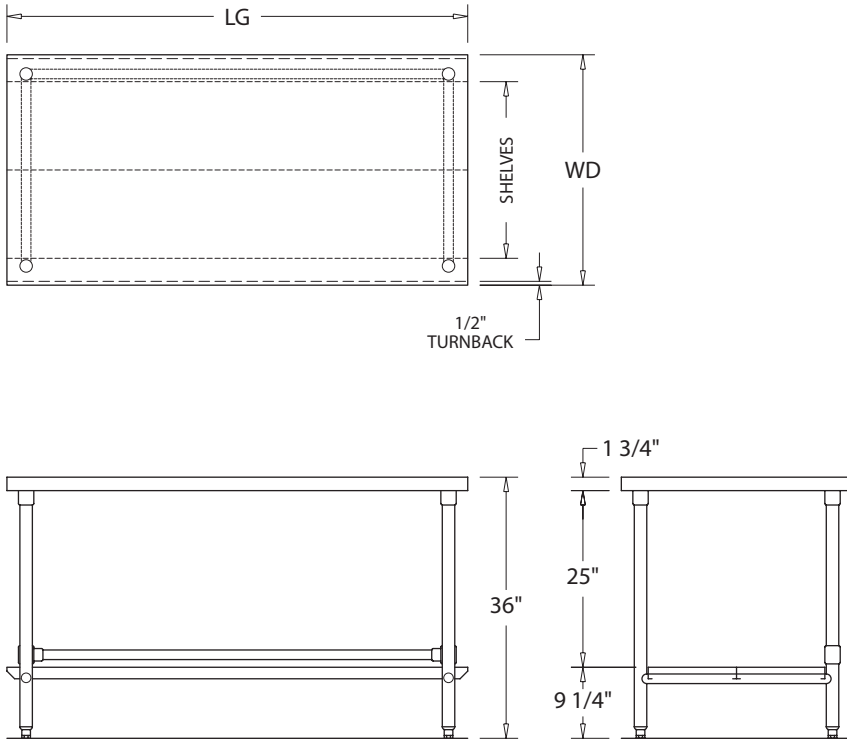
LIFETIME GUARANTEE

ITEM#

TUF- _ _ _

MODEL#

PROJECT



<input checked="" type="checkbox"/>	MODEL	LG	WD
<input type="checkbox"/>	TUF-224	24"	
<input type="checkbox"/>	TUF-324	36"	
<input type="checkbox"/>	TUF-424	48"	
<input type="checkbox"/>	TUF-524	60"	24"
<input type="checkbox"/>	TUF-624	72"	
<input type="checkbox"/>	TUF-724	84"	
<input type="checkbox"/>	TUF-824	96"	
<input type="checkbox"/>	TUF-924	108"	
<input type="checkbox"/>	TUF-230	24"	
<input type="checkbox"/>	TUF-330	36"	
<input type="checkbox"/>	TUF-430	48"	
<input type="checkbox"/>	TUF-530	60"	30"
<input type="checkbox"/>	TUF-630	72"	
<input type="checkbox"/>	TUF-730	84"	
<input type="checkbox"/>	TUF-830	96"	
<input type="checkbox"/>	TUF-930	108"	
<input type="checkbox"/>	TUF-236	24"	
<input type="checkbox"/>	TUF-336	36"	
<input type="checkbox"/>	TUF-436	48"	
<input type="checkbox"/>	TUF-536	60"	36"
<input type="checkbox"/>	TUF-636	72"	
<input type="checkbox"/>	TUF-736	84"	
<input type="checkbox"/>	TUF-836	96"	
<input type="checkbox"/>	TUF-936	108"	

MATERIAL

- 16 gauge, type 304 stainless steel
-Work surface -Legs & rails
- 18 gauge, type 304 stainless steel
-Undershelf (TUF & TUB models)
- Type 304 stainless
-Leg sockets -Adjustable feet
- 12 gauge galvanized steel
-Table channels

FEATURES

- Flat backsplash is 1 3/4" tall (TRB & TUB models).
- Front face features a 1/2" turn back to conceal exposed edge.
- Undershelves are easily removable to aid in cleaning area below (TUF & TUB models).
- Front to back rails are welded and left to right is adjustable and removable.
- Stainless feet are adjustable bullet type.
- 12 gauge channel structure provides maximum stability.
- Work surface is 34" above finished floor.
- Table legs are 1 5/8" diameter round tubing.
- Cross rails are 1 1/4" diameter.
- Custom configurations are available.
- NSF approved.
- Lifetime warranty.
- Proudly made in the USA.

We welcome the opportunity to help you design and configure equipment to suit your specific needs.

In keeping with our policy of continuing product improvement, we reserve the right to change product specifications without notice.

GRIFFIN PRODUCTS, INC.
303 Blue Bird Parkway
Wills Point, TX 75169
(800) 379-9709 tel
(903) 873-6389 fax



www.griffinproducts.com
© 2006 Griffin Products, Inc.

TRB
SERIES

WORK TABLES

HEAVY DUTY • 16 ga, T-304 S/S

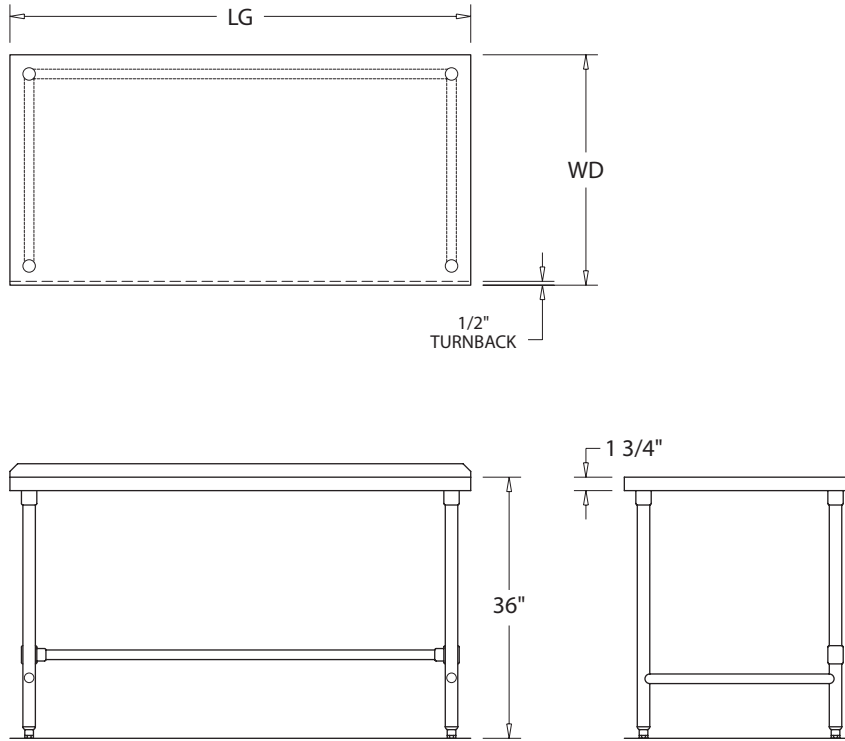
specifications

LIFETIME GUARANTEE

ITEM# **TRB- _ _ _**

MODEL#

PROJECT



<input checked="" type="checkbox"/>	MODEL	LG	WD
<input type="checkbox"/>	TRB-224	24"	
<input type="checkbox"/>	TRB-324	36"	
<input type="checkbox"/>	TRB-424	48"	
<input type="checkbox"/>	TRB-524	60"	24"
<input type="checkbox"/>	TRB-624	72"	
<input type="checkbox"/>	TRB-724	84"	
<input type="checkbox"/>	TRB-824	96"	
<input type="checkbox"/>	TRB-924	108"	
<input type="checkbox"/>	TRB-230	24"	
<input type="checkbox"/>	TRB-330	36"	
<input type="checkbox"/>	TRB-430	48"	
<input type="checkbox"/>	TRB-530	60"	30"
<input type="checkbox"/>	TRB-630	72"	
<input type="checkbox"/>	TRB-730	84"	
<input type="checkbox"/>	TRB-830	96"	
<input type="checkbox"/>	TRB-930	108"	
<input type="checkbox"/>	TRB-236	24"	
<input type="checkbox"/>	TRB-336	36"	
<input type="checkbox"/>	TRB-436	48"	
<input type="checkbox"/>	TRB-536	60"	36"
<input type="checkbox"/>	TRB-636	72"	
<input type="checkbox"/>	TRB-736	84"	
<input type="checkbox"/>	TRB-836	96"	
<input type="checkbox"/>	TRB-936	108"	

MATERIAL

- 16 gauge, type 304 stainless steel
-Work surface -Legs & rails
- 18 gauge, type 304 stainless steel
-Undershelf (TUF & TUB models)
- Type 304 stainless
-Leg sockets -Adjustable feet
- 12 gauge galvanized steel
-Table channels

FEATURES

- Flat backsplash is 1 3/4" tall (TRB & TUB models).
- Front face features a 1/2" turn back to conceal exposed edge.
- Undershelves are easily removable to aid in cleaning area below (TUF & TUB models). Front to back rails are welded and left to right is adjustable and removable.
- Stainless feet are adjustable bullet type.
- 12 gauge channel structure provides maximum stability.
- Work surface is 34" above finished floor.
- Table legs are 1 3/8" diameter round tubing.
- Cross rails are 1 1/4" diameter.
- Custom configurations are available.
- NSF approved.
- Lifetime warranty.
- Proudly made in the USA.

We welcome the opportunity to help you design and configure equipment to suit your specific needs.

In keeping with our policy of continuing product improvement, we reserve the right to change product specifications without notice.

GRIFFIN PRODUCTS, INC.
303 Blue Bird Parkway
Wills Point, TX 75169
(800) 379-9709 tel
(903) 873-6389 fax



www.griffinproducts.com
© 2006 Griffin Products, Inc.

TUB SERIES

WORK TABLES

HEAVY DUTY • 16 ga, T-304 S/S

specifications

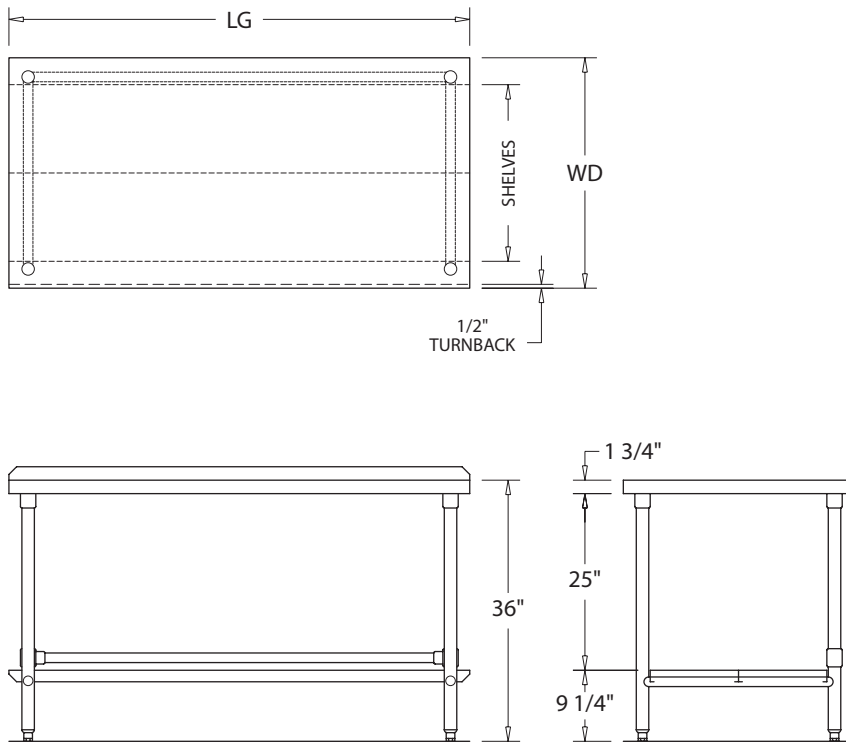
LIFETIME GUARANTEE

ITEM#

TUB- _ _ _

MODEL#

PROJECT



<input checked="" type="checkbox"/>	MODEL	LG	WD
<input type="checkbox"/>	TUB-224	24"	
<input type="checkbox"/>	TUB-324	36"	
<input type="checkbox"/>	TUB-424	48"	
<input type="checkbox"/>	TUB-524	60"	24"
<input type="checkbox"/>	TUB-624	72"	
<input type="checkbox"/>	TUB-724	84"	
<input type="checkbox"/>	TUB-824	96"	
<input type="checkbox"/>	TUB-924	108"	
<input type="checkbox"/>	TUB-230	24"	
<input type="checkbox"/>	TUB-330	36"	
<input type="checkbox"/>	TUB-430	48"	
<input type="checkbox"/>	TUB-530	60"	30"
<input type="checkbox"/>	TUB-630	72"	
<input type="checkbox"/>	TUB-730	84"	
<input type="checkbox"/>	TUB-830	96"	
<input type="checkbox"/>	TUB-930	108"	
<input type="checkbox"/>	TUB-236	24"	
<input type="checkbox"/>	TUB-336	36"	
<input type="checkbox"/>	TUB-436	48"	
<input type="checkbox"/>	TUB-536	60"	36"
<input type="checkbox"/>	TUB-636	72"	
<input type="checkbox"/>	TUB-736	84"	
<input type="checkbox"/>	TUB-836	96"	
<input type="checkbox"/>	TUB-936	108"	

MATERIAL

- 16 gauge, type 304 stainless steel
-Work surface -Legs & rails
- 18 gauge, type 304 stainless steel
-Undershelf (TUF & TUB models)
- Type 304 stainless
-Leg sockets -Adjustable feet
- 12 gauge galvanized steel
-Table channels

FEATURES

- Flat splash is 1 3/4" tall (TRB & TUB models).
- Front face features a 1/2" turn back to conceal exposed edge.
- Undershelves are easily removable to aid in cleaning area below (TUF & TUB models).
- Front to back rails are welded and left to right is adjustable and removable.
- Stainless feet are adjustable bullet type.
- 12 gauge channel structure provides maximum stability.
- Work surface is 34" above finished floor.
- Table legs are 1 5/8" diameter round tubing.
- Cross rails are 1 1/4" diameter.
- Custom configurations are available.
- NSF approved.
- Lifetime warranty.
- Proudly made in the USA.

We welcome the opportunity to help you design and configure equipment to suit your specific needs.

In keeping with our policy of continuing product improvement, we reserve the right to change product specifications without notice.

GRIFFIN PRODUCTS, INC.
303 Blue Bird Parkway
Wills Point, TX 75169
(800) 379-9709 tel
(903) 873-6389 fax

www.griffinproducts.com
© 2006 Griffin Products, Inc.



CTE/S SERIES

COUNTER TOPS

HEAVY-DUTY • 16 ga, T-304 S/S

ITEM# CT - - - - -

MODEL# _____

PROJECT _____

specifications

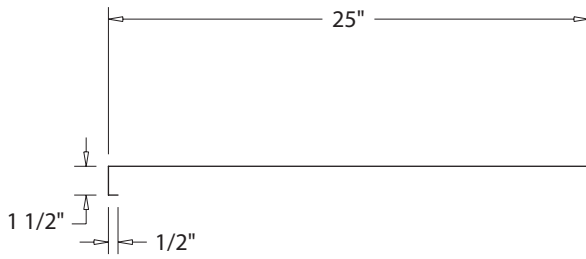
LIFETIME GUARANTEE

<input checked="" type="checkbox"/>	CTE SERIES	LG	<input checked="" type="checkbox"/>	CTS SERIES	LG
<input type="checkbox"/>	CTE-024	24"	<input type="checkbox"/>	CTS-024	24"
<input type="checkbox"/>	CTE-036	36"	<input type="checkbox"/>	CTS-036	36"
<input type="checkbox"/>	CTE-048	48"	<input type="checkbox"/>	CTS-048	48"
<input type="checkbox"/>	CTE-060	60"	<input type="checkbox"/>	CTS-060	60"
<input type="checkbox"/>	CTE-072	72"	<input type="checkbox"/>	CTS-072	72"
<input type="checkbox"/>	CTE-084	84"	<input type="checkbox"/>	CTS-084	84"
<input type="checkbox"/>	CTE-096	96"	<input type="checkbox"/>	CTS-096	96"
<input type="checkbox"/>	CTE-108	108"	<input type="checkbox"/>	CTS-108	108"

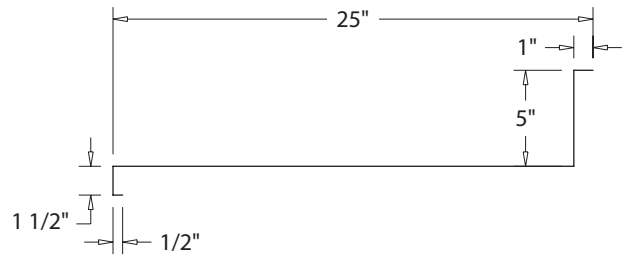
<input checked="" type="checkbox"/>		RIGHT		
	LEFT	E	D	S
<input type="checkbox"/>	E	-EE	-ED	-ES
<input type="checkbox"/>	D	-DE	-DD	-DS
<input type="checkbox"/>	S	-SE	-SD	-SS

- (E) RAW EDGE
- (D) TURN DOWN
- (S) END SPLASH

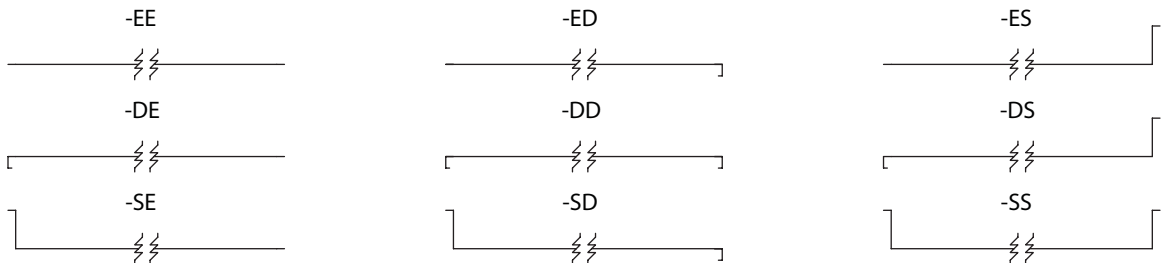
CTE SERIES
WIDTH SECTION



CTS SERIES
WIDTH SECTION



LENGTH SECTIONS
(END OPTIONS)



GRIFFIN PRODUCTS, INC.
303 Blue Bird Parkway
Wills Point, TX 75169
(800) 379-9709 tel
(903) 873-6389 fax

www.griffinproducts.com
© 2006 Griffin Products, Inc.

