

RC
SERIES

DROP-IN SINKS

HEAVY-DUTY • 16 ga, T-304 S/S

specifications

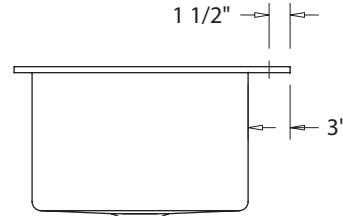
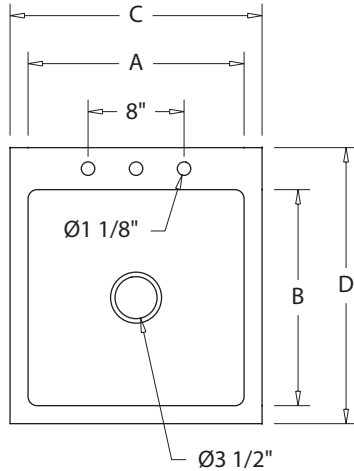
LIFETIME GUARANTEE

ITEM#

RC-1__

MODEL#

PROJECT



<input checked="" type="checkbox"/>	MODEL	A	B	C	D
<input type="checkbox"/>	RC-104	10"	14"	13"	18½"
<input type="checkbox"/>	RC-178	12"	18"	15"	22½"
<input type="checkbox"/>	RC-168	16"	18"	19"	22½"
<input type="checkbox"/>	RC-188	18"	18"	21"	22½"
<input type="checkbox"/>	RC-148	24"	18"	27"	22½"
<input type="checkbox"/>	RC-138	30"	18"	33"	22½"
<input type="checkbox"/>	RC-198	36"	18"	39"	22½"

MATERIAL

- 16 gauge, type 304 stainless

MECHANICAL

- Rear deck is 3" wide.
- Front and side rims are 1½" wide.
- Faucet holes are 1⅛" diameter on 4" centers.
- Drain opening is 3½", recessed.
- Basket drain is 1½" IPS.
- Supply is ½" IPS, hot and cold.

FEATURES

- Sink bowl is 'True Gauge', not drawn.
- Coved compartment is ¾" radius, both horizontal and vertical.
- Unitized construction. Stiffeners welded directly to sink bowls ensure maximum rigidity.
- ½" tall rim provides rigid structure for sealing to mating surface.
- Sink compartment(s) are sound deadened with noise reducing pads.
- All seams are TIG welded and ground to a smooth #4 satin finish.
- Custom configurations are available.
- NSF approved.
- Lifetime warranty.
- Proudly made in the USA.

ACCESSORIES

- FG-205 5" gooseneck faucet
- FS-208 8" swing spout faucet
- FS-210 10" swing spout faucet
- FA-100 Wrist blade handles

We welcome the opportunity to help you design and configure equipment to suit your specific needs.

In keeping with our policy of continuing product improvement, we reserve the right to change product specifications without notice.

GRIFFIN PRODUCTS, INC.
303 Blue Bird Parkway
Wills Point, TX 75169
(800) 379-9709 tel
(903) 873-6389 fax

www.griffinproducts.com
© 2006 Griffin Products, Inc.



Included:

- WA-350 basket drain

RC-1XX

RC
SERIES

DROP-IN SINKS

HEAVY-DUTY • 16 ga, T-304 S/S

ITEM#

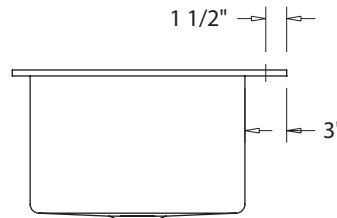
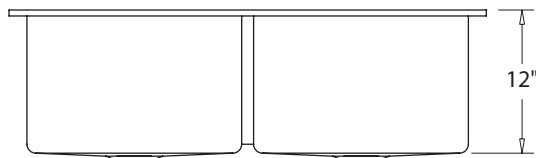
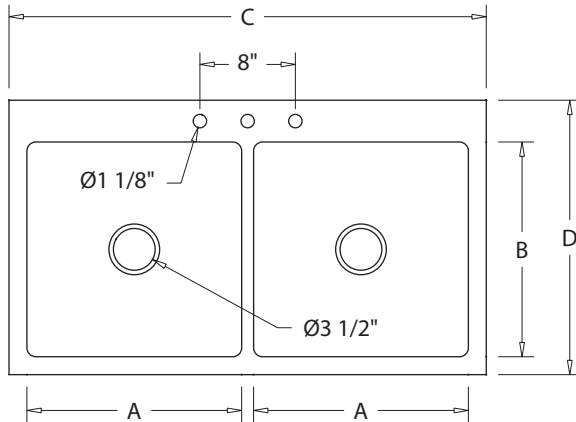
RC-2 _ _

MODEL#

PROJECT

specifications

LIFETIME GUARANTEE



<input checked="" type="checkbox"/>	MODEL	A	B	C	D
<input type="checkbox"/>	RC-204	10"	14"	24"	18½"
<input type="checkbox"/>	RC-278	12"	18"	28"	22½"
<input type="checkbox"/>	RC-268	16"	18"	36"	22½"
<input type="checkbox"/>	RC-288	18"	18"	40"	22½"

MATERIAL

- 16 gauge, type 304 stainless

MECHANICAL

- Rear deck is 3" wide.
- Front and side rims are 1½" wide.
- Faucet holes are 1⅛" diameter on 4" centers.
- Drain openings are 3½", recessed.
- Basket drains are 1½" IPS.
- Supply is ½" IPS, hot and cold.

FEATURES

- Sink bowls are 'True Gauge', not drawn.
- Coved compartments are ¾" radius, both horizontal and vertical.
- Unitized construction. Stiffeners welded directly to sink bowls ensure maximum rigidity.
- ½" tall rim provides rigid structure for sealing to mating surface.
- Sink compartment(s) are sound deadened with noise reducing pads.
- All seams are TIG welded and ground to a smooth #4 satin finish.
- Custom configurations are available.
- NSF approved.
- Lifetime warranty.
- Proudly made in the USA.

ACCESSORIES

- FS-210 10" swing spout faucet
- FS-212 12" swing spout faucet
- FA-100 Wrist blade handles
- FA-200 Articulating swing arm

We welcome the opportunity to help you design and configure equipment to suit your specific needs.

In keeping with our policy of continuing product improvement, we reserve the right to change product specifications without notice.

GRIFFIN PRODUCTS, INC.
303 Blue Bird Parkway
Wills Point, TX 75169
(800) 379-9709 tel
(903) 873-6389 fax

www.griffinproducts.com
© 2006 Griffin Products, Inc.



Included:

- WA-350 basket drain

RC-2XX

RC
SERIES

DROP-IN SINKS

HEAVY-DUTY • 16 ga, T-304 S/S

specifications

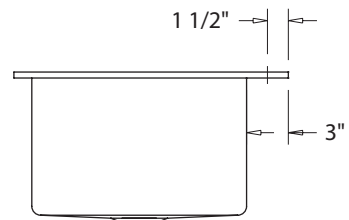
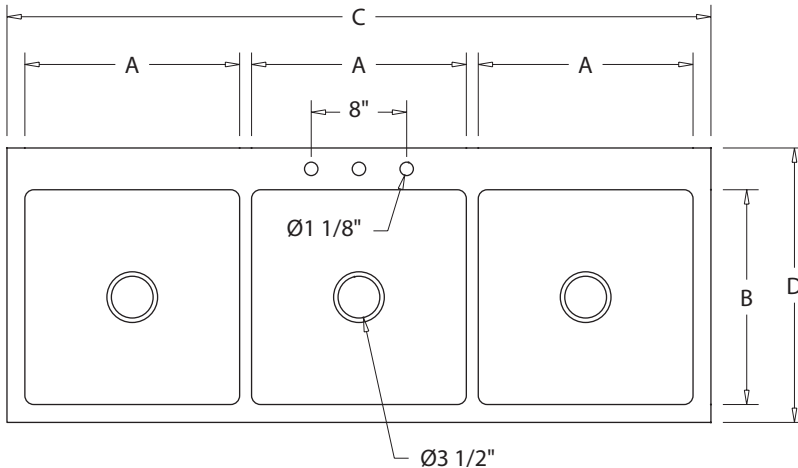
LIFETIME GUARANTEE

ITEM#

RC-3__

MODEL#

PROJECT



<input checked="" type="checkbox"/>	MODEL	A	B	C	D
<input type="checkbox"/>	RC-304	10"	14"	35"	18½"
<input type="checkbox"/>	RC-378	12"	18"	41"	22½"
<input type="checkbox"/>	RC-368	16"	18"	53"	22½"
<input type="checkbox"/>	RC-388	18"	18"	59"	22½"

MATERIAL

- 16 gauge, type 304 stainless

MECHANICAL

- Rear deck is 3" wide.
- Front and side rims are 1½" wide.
- Faucet holes are 1⅛" diameter on 4" centers.
- Drain openings are 3½", recessed.
- Basket drains are 1½" IPS.
- Supply is ½" IPS, hot and cold.

FEATURES

- Sink bowls are 'True Gauge', not drawn.
- Coved compartments are ¾" radius, both horizontal and vertical.
- Unitized construction. Stiffeners welded directly to sink bowls ensure maximum rigidity.
- ½" tall rim provides rigid structure for sealing to mating surface.
- Sink compartment(s) are sound deadened with noise reducing pads.
- All seams are TIG welded and ground to a smooth #4 satin finish.
- Custom configurations are available.
- NSF approved.
- Lifetime warranty.
- Proudly made in the USA.

ACCESSORIES

- FS-210 10" swing spout faucet
- FS-212 12" swing spout faucet
- FA-100 Wrist blade handles
- FA-200 Articulating swing arm

We welcome the opportunity to help you design and configure equipment to suit your specific needs.

In keeping with our policy of continuing product improvement, we reserve the right to change product specifications without notice.

GRIFFIN PRODUCTS, INC.
303 Blue Bird Parkway
Wills Point, TX 75169
(800) 379-9709 tel
(903) 873-6389 fax

www.griffinproducts.com
© 2006 Griffin Products, Inc.



Included:

- WA-350 basket drain

RC-3XX

RS
SERIES

DROP-IN SINKS

HEAVY-DUTY • 16 ga, T-304 S/S

specifications

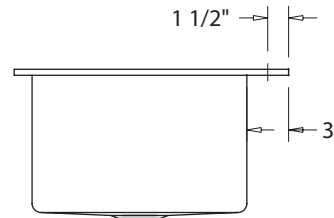
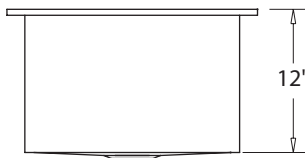
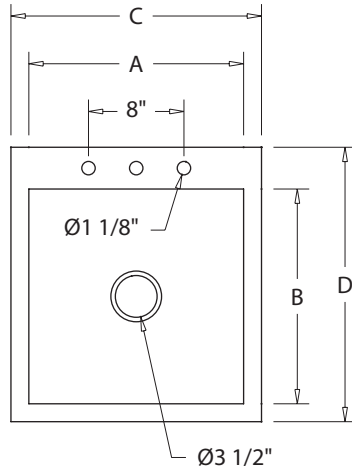
LIFETIME GUARANTEE

ITEM#

RS-1__

MODEL#

PROJECT



<input checked="" type="checkbox"/>	MODEL	A	B	C	D
<input type="checkbox"/>	RS-104	10"	14"	13"	18½"
<input type="checkbox"/>	RS-178	12"	18"	15"	22½"
<input type="checkbox"/>	RS-168	16"	18"	19"	22½"
<input type="checkbox"/>	RS-188	18"	18"	21"	22½"
<input type="checkbox"/>	RS-148	24"	18"	27"	22½"
<input type="checkbox"/>	RS-138	30"	18"	33"	22½"
<input type="checkbox"/>	RS-198	36"	18"	39"	22½"

MATERIAL

- 16 gauge, type 304 stainless

MECHANICAL

- Rear deck is 3" wide.
- Front and side rims are 1½" wide.
- Faucet holes are 1⅛" diameter on 4" centers.
- Drain opening is 3½", recessed.
- Basket drain is 1½" IPS.
- Supply is ½" IPS, hot and cold.

FEATURES

- Unibody construction provides maximum durability.
- Sink compartment is square corner.
- ½" tall rim provides rigid structure for sealing rim to mating surface.
- Sink compartment(s) are sound deadened with noise reducing pads.
- All seams are TIG welded and ground to a smooth #4 satin finish.
- Custom configurations are available.
- Lifetime warranty.
- Proudly made in the USA.

ACCESSORIES

- FG-205 5" gooseneck faucet
- FS-208 8" swing spout faucet
- FS-210 10" swing spout faucet
- FA-100 Wrist blade handles

We welcome the opportunity to help you design and configure equipment to suit your specific needs.

In keeping with our policy of continuing product improvement, we reserve the right to change product specifications without notice.

GRIFFIN PRODUCTS, INC.
303 Blue Bird Parkway
Wills Point, TX 75169
(800) 379-9709 tel
(903) 873-6389 fax

www.griffinproducts.com
© 2006 Griffin Products, Inc.



Included:

- WA-350 basket drain

RS-1XX

RS
SERIES

DROP-IN SINKS

HEAVY-DUTY • 16 ga, T-304 S/S

specifications

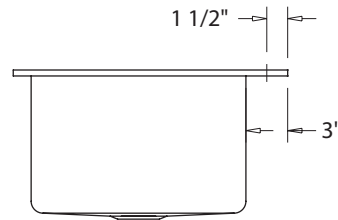
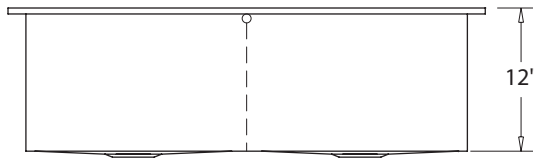
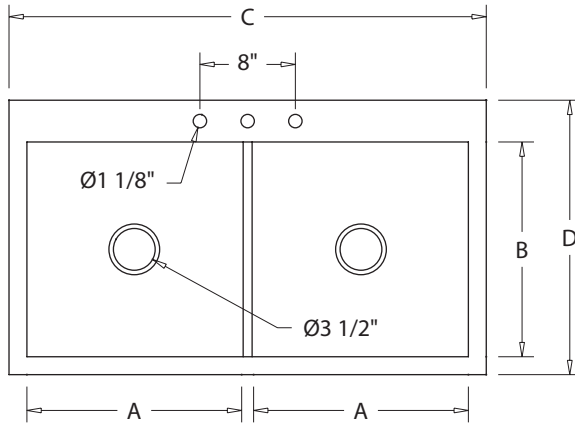
LIFETIME GUARANTEE

ITEM#

RS-2__

MODEL#

PROJECT



<input checked="" type="checkbox"/>	MODEL	A	B	C	D
<input type="checkbox"/>	RS-204	10"	14"	23"	18½"
<input type="checkbox"/>	RS-278	12"	18"	27"	22½"
<input type="checkbox"/>	RS-268	16"	18"	35"	22½"
<input type="checkbox"/>	RS-288	18"	18"	39"	22½"

MATERIAL

- 16 gauge, type 304 stainless

MECHANICAL

- Rear deck is 3" wide.
- Front and side rims are 1½" wide.
- Faucet holes are 1⅞" diameter on 4" centers.
- Drain openings are 3½", recessed.
- Basket drains are 1½" IPS.
- Supply is ½" IPS, hot and cold.

FEATURES

- Unibody construction provides maximum durability.
- Sink compartments are square corner.
- ½" tall rim provides rigid structure for sealing rim to mating surface.
- Sink compartment(s) are sound deadened with noise reducing pads.
- All seams are TIG welded and ground to a smooth #4 satin finish.
- Custom configurations are available.
- Lifetime warranty.
- Proudly made in the USA.

ACCESSORIES

- FS-210 10" swing spout faucet
- FS-212 12" swing spout faucet
- FA-100 Wrist blade handles
- FA-200 Articulating swing arm

We welcome the opportunity to help you design and configure equipment to suit your specific needs.

In keeping with our policy of continuing product improvement, we reserve the right to change product specifications without notice.

GRIFFIN PRODUCTS, INC.
303 Blue Bird Parkway
Wills Point, TX 75169
(800) 379-9709 tel
(903) 873-6389 fax

www.griffinproducts.com
© 2006 Griffin Products, Inc.



Included:

- WA-350 basket drain

RS-2XX

RS
SERIES

DROP-IN SINKS

HEAVY-DUTY • 16 ga, T-304 S/S:

specifications

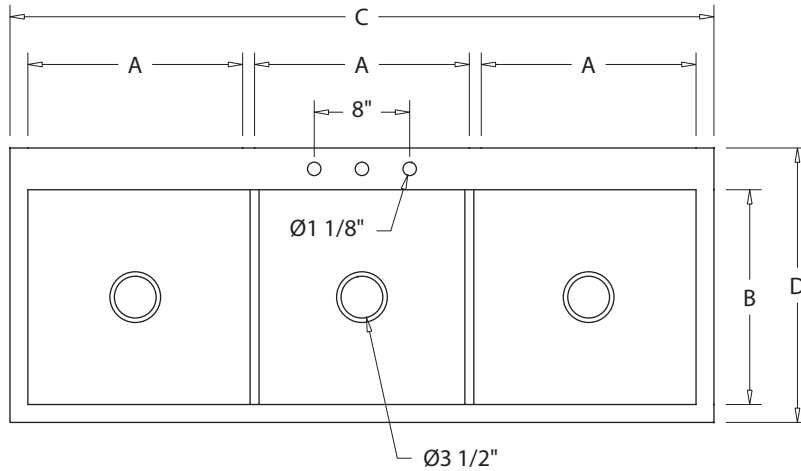
LIFETIME GUARANTEE

ITEM#

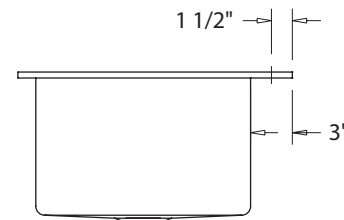
RS-3__

MODEL#

PROJECT



<input checked="" type="checkbox"/>	MODEL	A	B	C	D
<input type="checkbox"/>	RS-304	10"	14"	33"	18½"
<input type="checkbox"/>	RS-378	12"	18"	39"	22½"
<input type="checkbox"/>	RS-368	16"	18"	51"	22½"
<input type="checkbox"/>	RS-388	18"	18"	57"	22½"



MATERIAL

- 16 gauge, type 304 stainless

MECHANICAL

- Rear deck is 3" wide.
- Front and side rims are 1½" wide.
- Faucet holes are 1⅛" diameter on 4" centers.
- Drain openings are 3½", recessed.
- Basket drains are 1½" IPS.
- Supply is ½" IPS, hot and cold.

FEATURES

- Unibody construction provides maximum durability.
- Sink compartments are square corner.
- ½" tall rim provides rigid structure for sealing rim to mating surface.
- Sink compartment(s) are sound deadened with noise reducing pads.
- All seams are TIG welded and ground to a smooth #4 satin finish.
- Custom configurations are available.
- Lifetime warranty.
- Proudly made in the USA.

ACCESSORIES

- FS-210 10" swing spout faucet
- FS-212 12" swing spout faucet
- FA-100 Wrist blade handles
- FA-200 Articulating swing arm

We welcome the opportunity to help you design and configure equipment to suit your specific needs.

In keeping with our policy of continuing product improvement, we reserve the right to change product specifications without notice.

Included:

- WA-350 basket drain

GRIFFIN PRODUCTS, INC.
303 Blue Bird Parkway
Wills Point, TX 75169
(800) 379-9709 tel
(903) 873-6389 fax

www.griffinproducts.com
© 2006 Griffin Products, Inc.



CLS

DROP-IN SINKS

LIGHT-DUTY / RESIDENTIAL

ITEM#

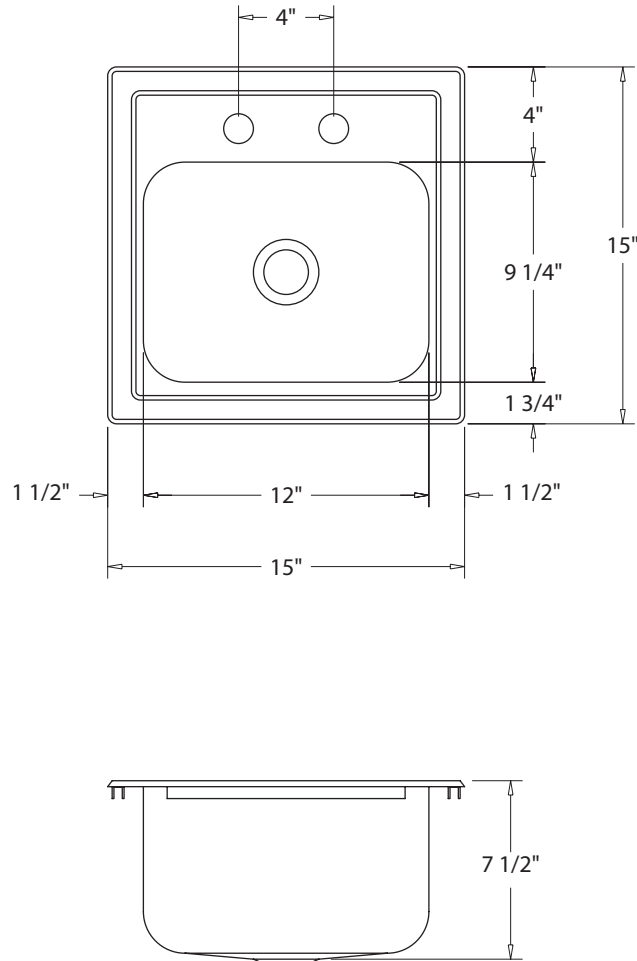
CLS-1515

MODEL#

specifications

LIFETIME GUARANTEE

PROJECT



FEATURES

- 20 gauge, type 304 stainless steel
- Self-rimming drop-in
- 2" center drain opening
- Full undercoat sound deadening
- Faucet included
- Strainer drain included
- Mirror rim radius
- Diamond-Glow finish
- Includes mounting hardware / clips and screws
- Hole drillings: 2
- Suggested cabinet size 18"
- Shipping weight 9½ lbs.

In keeping with our policy of continuing product improvement, we reserve the right to change product specifications without prior notice.

GRIFFIN PRODUCTS, INC.
303 Blue Bird Parkway
Wills Point, TX 75169
(800) 379-9709 tel
(903) 873-6389 fax

www.griffinproducts.com
© 2006 Griffin Products, Inc.



LS

DROP-IN SINKS

LIGHT-DUTY / RESIDENTIAL

ITEM#

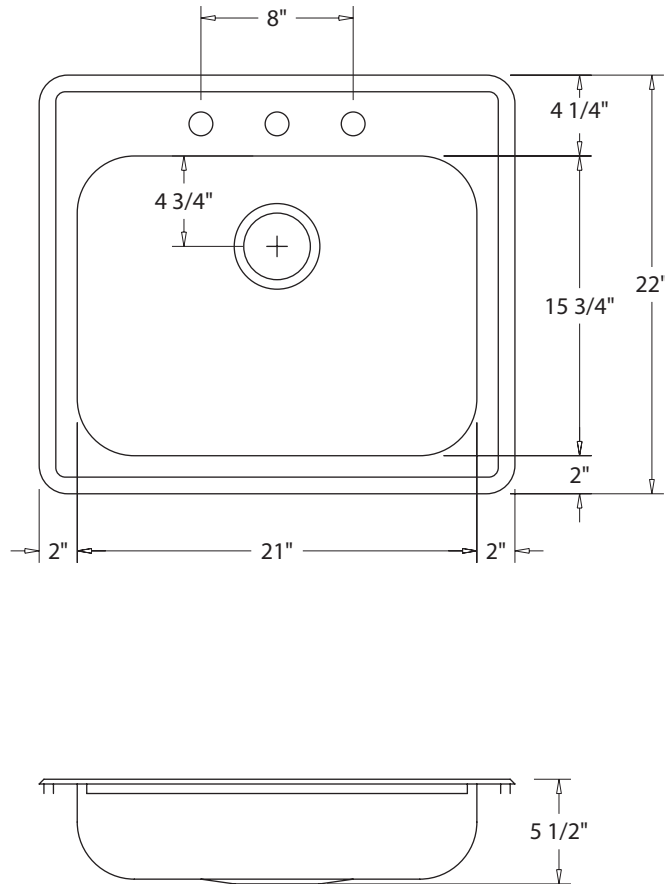
LS-2522

MODEL#

PROJECT

specifications

LIFETIME GUARANTEE



FEATURES

- 20 gauge, type 304 stainless steel
- Self-rimming drop-in
- 3 1/2" rear center drain opening
- Full undercoat sound deadening
- Mirror rim radius
- Diamond-Glow finish
- Includes mounting hardware / clips and screws
- Hole drillings: 3
- Suggested cabinet size 30"
- Shipping weight 11 lbs.

In keeping with our policy of continuing product improvement, we reserve the right to change product specifications without prior notice.

GRIFFIN PRODUCTS, INC.
303 Blue Bird Parkway
Wills Point, TX 75169
(800) 379-9709 tel
(903) 873-6389 fax

www.griffinproducts.com
© 2006 Griffin Products, Inc.



CLS

DROP-IN SINKS

LIGHT-DUTY / RESIDENTIAL

ITEM#

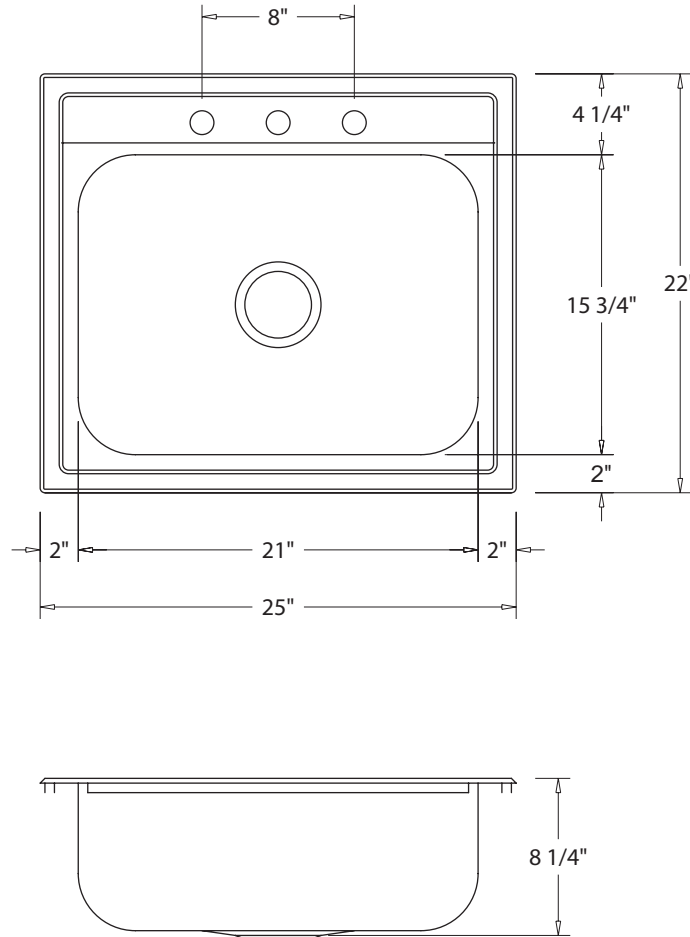
CLS-2522

MODEL#

PROJECT

specifications

LIFETIME GUARANTEE



FEATURES

- 20 gauge, type 304 stainless steel
- Self-rimming drop-in
- 3 1/2" center drain opening
- Full undercoat sound deadening
- Mirror rim radius
- Diamond-Glow finish
- Includes mounting hardware / clips and screws
- Hole drillings: 3
- Suggested cabinet size 30"
- Shipping weight 13 lbs.

In keeping with our policy of continuing product improvement, we reserve the right to change product specifications without prior notice.

GRIFFIN PRODUCTS, INC.
303 Blue Bird Parkway
Wills Point, TX 75169
(800) 379-9709 tel
(903) 873-6389 fax

www.griffinproducts.com
© 2006 Griffin Products, Inc.



PBLS

DROP-IN SINKS

LIGHT-DUTY / RESIDENTIAL

ITEM#

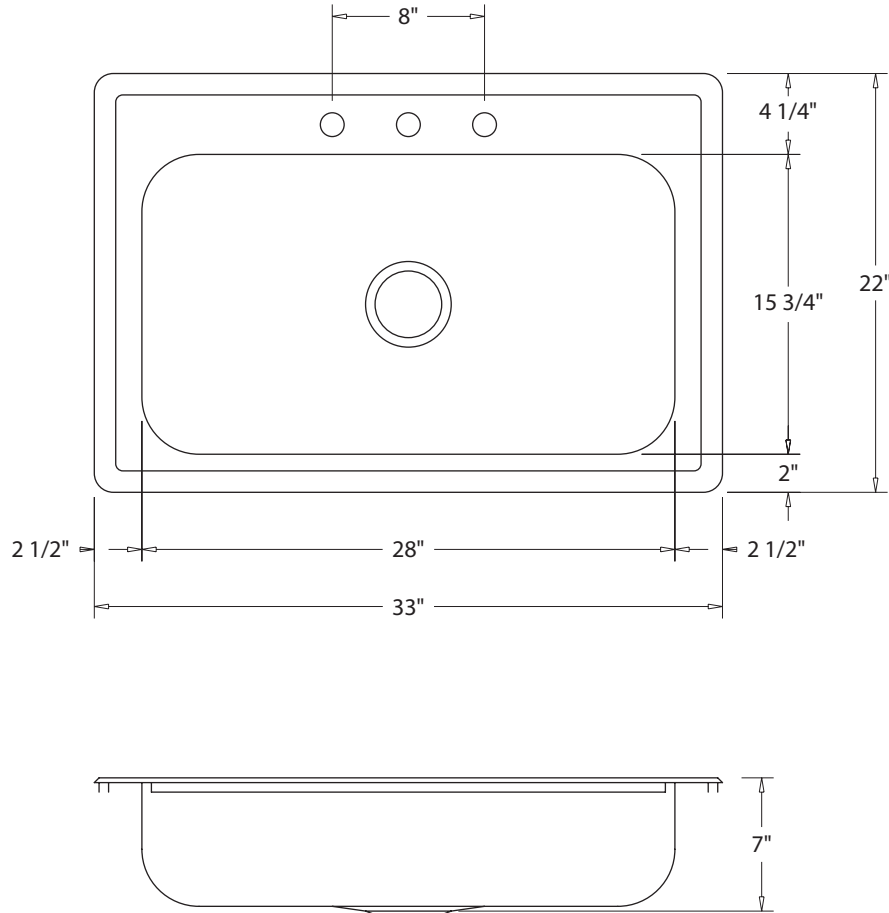
PBLS-3322

MODEL#

PROJECT

specifications

LIFETIME GUARANTEE



FEATURES

- 300 series stainless steel
- Self-rimming drop-in
- 3 1/2" center drain opening
- Full undercoat sound deadening
- Satin buffed and machine ground
- Includes mounting hardware / clips and screws
- Hole drillings: 3
- Suggested cabinet size 36"
- Shipping weight 9 lbs.

In keeping with our policy of continuing product improvement, we reserve the right to change product specifications without prior notice.

GRIFFIN PRODUCTS, INC.
303 Blue Bird Parkway
Wills Point, TX 75169
(800) 379-9709 tel
(903) 873-6389 fax

www.griffinproducts.com
© 2006 Griffin Products, Inc.



PBLS-3322

CLD

DROP-IN SINKS

LIGHT-DUTY / RESIDENTIAL

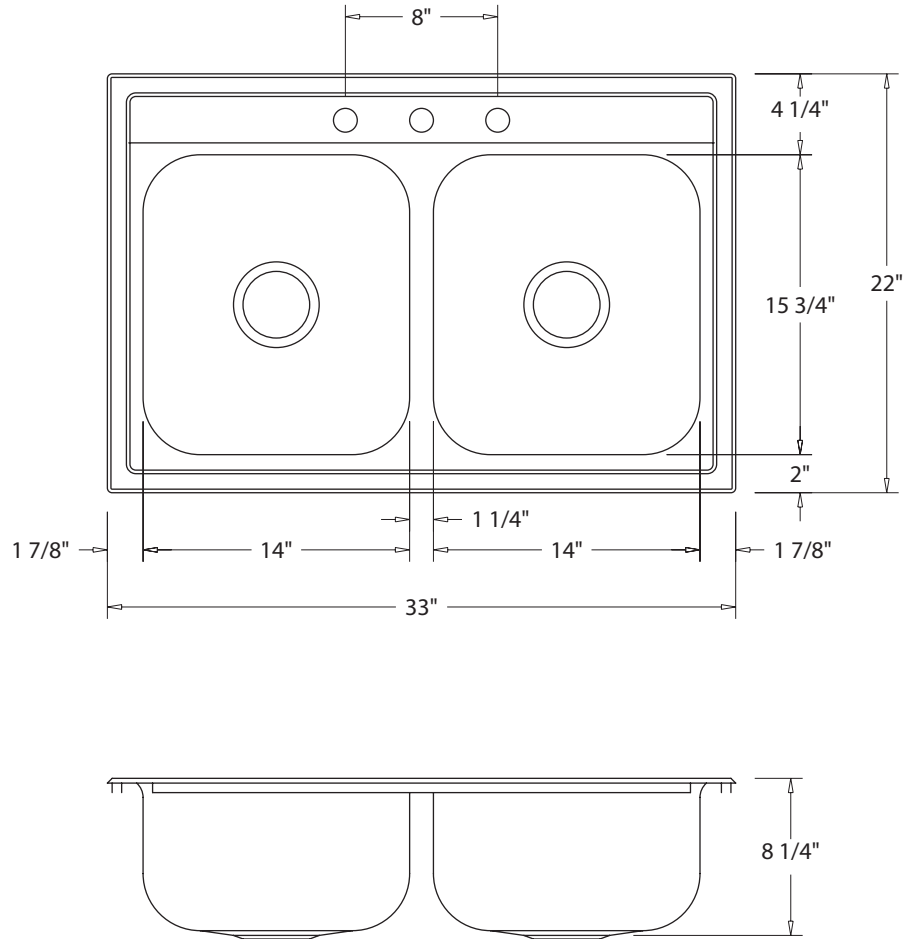
ITEM# **CLD-3322**

MODEL#

specifications

LIFETIME GUARANTEE

PROJECT



FEATURES

- 20 gauge, type 304 stainless steel
- Self-rimming drop-in
- 3 1/2" center drain opening
- Full undercoat sound deadening
- Mirror rim radius
- Diamond-Glow finish
- Includes mounting hardware / clips and screws
- Hole drillings: 3
- Suggested cabinet size 36"
- Shipping weight 19 lbs.

In keeping with our policy of continuing product improvement, we reserve the right to change product specifications without prior notice.

GRIFFIN PRODUCTS, INC.
303 Blue Bird Parkway
Wills Point, TX 75169
(800) 379-9709 tel
(903) 873-6389 fax

www.griffinproducts.com
© 2006 Griffin Products, Inc.



WLT

DROP-IN SINKS

LIGHT-DUTY / RESIDENTIAL

ITEM#

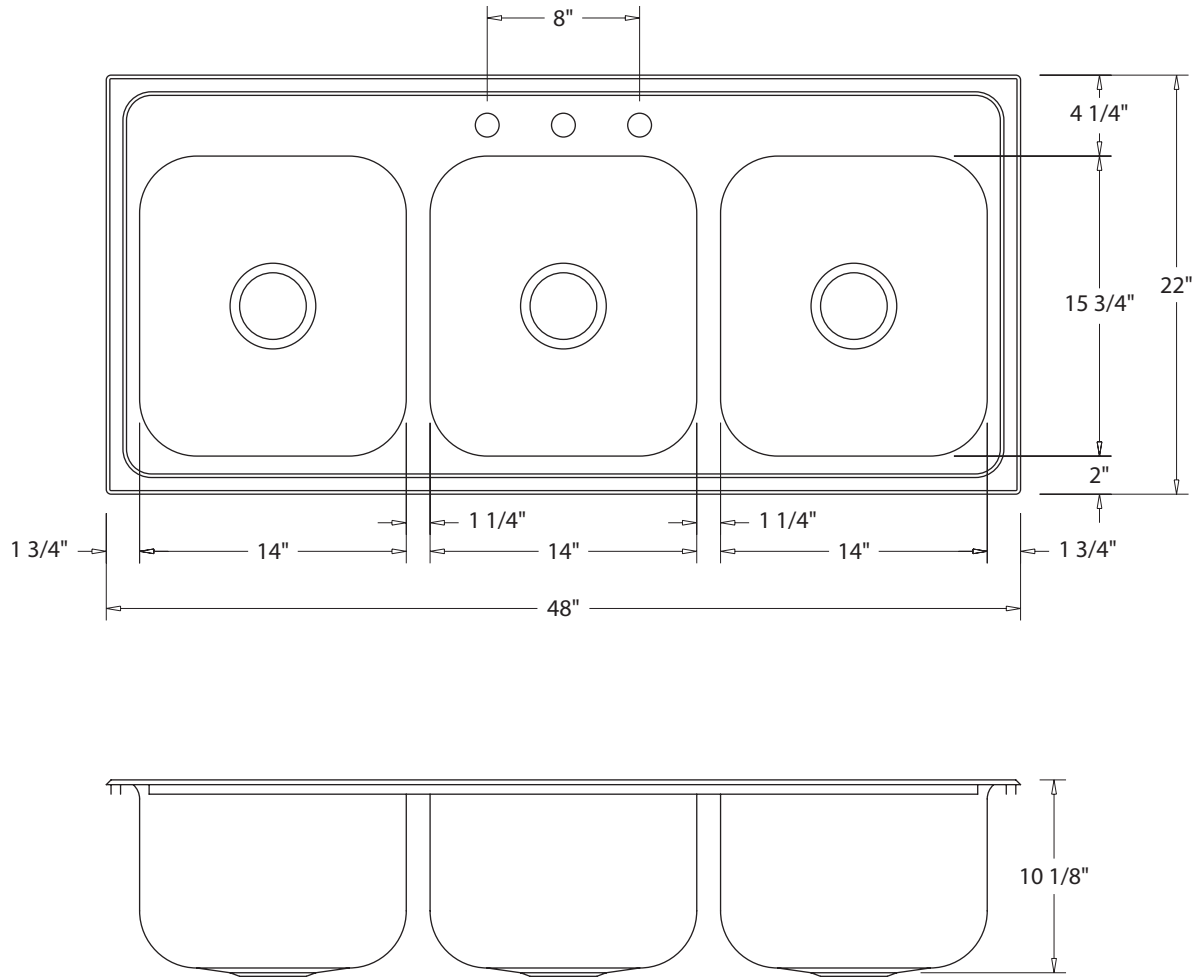
WLT-4822

MODEL#

PROJECT

specifications

LIFETIME GUARANTEE



FEATURES

- 18 gauge, type 304 stainless steel
- Self-rimming drop-in
- 3 1/2" center drain opening
- Full undercoat sound deadening
- Mirror rim radius
- Diamond-Glow finish
- Includes mounting hardware / clips and screws
- Hole drillings: 3
- Suggested cabinet size 54"
- Shipping weight 33 lbs.

In keeping with our policy of continuing product improvement, we reserve the right to change product specifications without prior notice.

GRIFFIN PRODUCTS, INC.
303 Blue Bird Parkway
Wills Point, TX 75169
(800) 379-9709 tel
(903) 873-6389 fax

www.griffinproducts.com
© 2006 Griffin Products, Inc.



CLTF

DROP-IN SINKS

LIGHT-DUTY / RESIDENTIAL

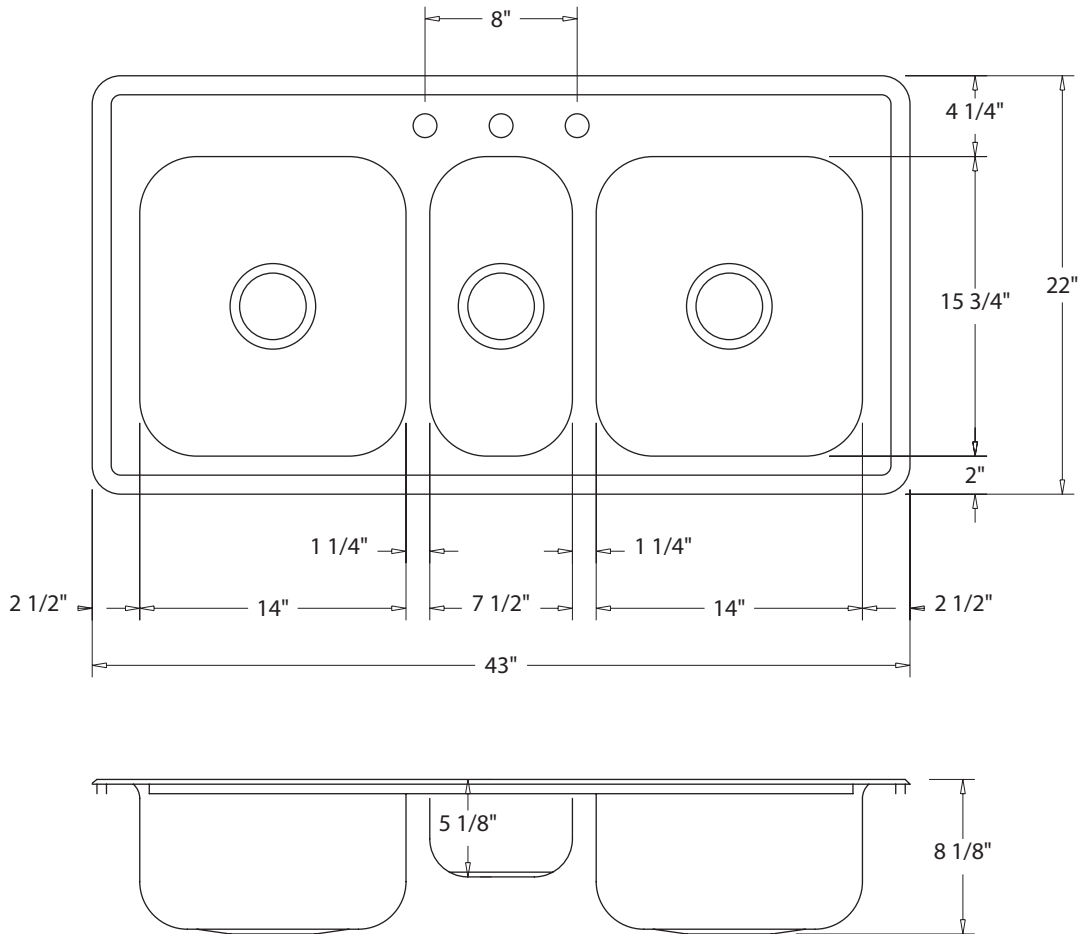
ITEM# **CLTF-4322**

MODEL#

specifications

LIFETIME GUARANTEE

PROJECT



FEATURES

- 20 gauge, type 304 stainless steel
- Self-rimming drop-in
- 3 1/2" center drain opening
- Full undercoat sound deadening
- Mirror rim radius
- Diamond glow finish
- Includes mounting hardware / clips and screws
- Hole drillings: 3
- Suggested cabinet size 48"
- Shipping weight 23 lbs.

In keeping with our policy of continuing product improvement, we reserve the right to change product specifications without prior notice.

GRIFFIN PRODUCTS, INC.
303 Blue Bird Parkway
Wills Point, TX 75169
(800) 379-9709 tel
(903) 873-6389 fax

www.griffinproducts.com
© 2006 Griffin Products, Inc.

